



CITY OF TAMPA

Bob Buckhorn, Mayor

CONTRACT ADMINISTRATION DEPARTMENT

Michael W. Chucran, Director

ADDENDUM 1

DATE: October 18, 2017

Contract 17-C-00029; Robles Park Pump Station Replacement

Bidders on the above referenced project are hereby notified that the following addendum is made to the Contract Documents. BIDS TO BE SUBMITTED SHALL CONFORM TO THIS NOTICE.

- Item 1: Insert, after page 2 of the U-WMBE Contact List, the attached MBD-70 form.
- Item 2: Replace Proposal pages P-2 thru P-5 with the attached Proposal pages P-2R thru P-5R.
- Item 3: Contract Item 334-5 Stabilized Sub-Base shall include the cost of excavating and removal of soil necessary to accommodate the installation of base and leveling sand.
- Item 4: Replace plan sheet C-14 with the attached plan sheet C-14. Revision includes correcting the intake pipe from RCP to C905 DR 25 PVC pipe.
- Item 5: Attached for reference is the pre-bid meeting sign-in sheet.

All other provisions of the Contract Documents and Specifications not in conflict with this Addendum shall remain in full force and effect. Questions are to be e-mailed to ContractAdministration@tampagov.net.

Jim Greiner

Jim Greiner, P.E., Contract Management Supervisor

Procurement Guidelines To Implement Minority & Small Business Participation

Underutilized WMBE Primes by Industry Category

FORMAL PROCUREMENT	Construction	Construction-Related	Professional	Non-Professional	Goods
	Black	Asian	Black	Black	Black
	Hispanic	Native Am.	Hispanic	Asian	Hispanic
	Native Am.	Woman	Asian	Native Am.	Asian
	Woman		Native Am.		Native Am.
			Woman		Woman

Underutilized WMBE Sub-Contractors / Sub-Consultants

SUB WORK	Construction	Construction-Related	Professional	Non-Professional	Goods
	Black	Black	Black	Black	Black
		Asian	Hispanic	Asian	Asian
		Native Am.	Asian	Native Am.	Native Am.
		Woman	Native Am.		Woman
			Woman		

Policy

The Guidelines apply to formal procurements and solicitations. WMBE participation will be narrowly-tailored.

Index

- Black = Black/African-American Business Enterprise
- Hispanic = Hispanic Business Enterprise
- Asian = Asian Business Enterprise
- Native Am. = Native American Business Enterprise
- Woman = Woman Business Enterprise (Caucasian)

Industry Categories

Construction is defined as: new construction, renovation, restoration, maintenance of public improvements and underground utilities.

Construction-Related Services are defined as: architecture, professional engineering, landscape architecture, design build, construction management services, or registered surveying and mapping.

Professional Services are defined as: attorney, accountant, medical doctor, veterinarian, miscellaneous consultant, etc.

Non-Professional Services are defined as: lawn maintenance, painting, janitorial, printing, hauling, security guard, etc.

Goods are defined as: all supplies, materials, pipes, equipment, machinery, appliances, and other commodities.

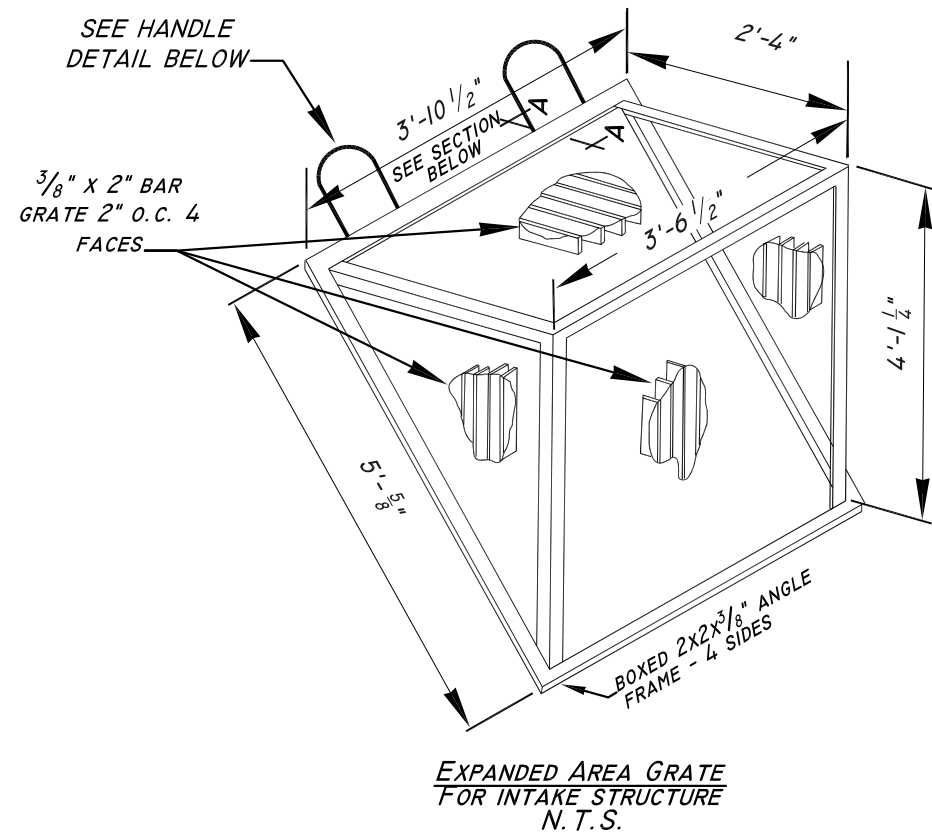
MBD Form-70

Item No.	Description	Unit	Approx. Quantity	Unit Price in Words	Unit Price	Total Computed Price
0100-1	Contingency	LS	1	One Hundred Twelve Thousand Eight Hundred Dollars & No Cents	\$ 112,800.00	\$ 112,800.00
0101-1	Mobilization/demobilization	LS	1	One Hundred Forty One Thousand Dollars & No Cents	\$ 141,000.00	\$ 141,000.00
0102-1	Maintenance of Traffic	LS	1		\$	\$
0104-1	Erosion Control	LS	1		\$	\$
0105-1	Tree Protection	LF	500		\$	\$
0127-10	Demolition	LS	1		\$	\$
0301-5	Grading	SY	1,200		\$	\$
0330-14	Plug and Grout 14" FM	LS	1		\$	\$
0330-16	Plug and Grout 16" FM	LS	1		\$	\$
0330-30	Plug and Grout 30" Intake Pipe	LS	1		\$	\$
0334-1	Remove, Store and Replace Brick Roadway	SY	830		\$	\$
0334-5	Stabilized Sub-Base	SY	830		\$	\$
0334-8	Crushed Concrete Base - 8"	CY	192		\$	\$
0334-10	Asphalt Paving SP-9.5 -- 2"	SY-IN	60		\$	\$
0350-5	Concrete Driveway - 6"	SY	14		\$	\$
0350-10	Concrete Sidewalk -4"	SY	80		\$	\$
0350-15	Concrete Sidewalk -6"	SY	12		\$	\$

Item No.	Description	Unit	Approx. Quantity	Unit Price in Words	Unit Price	Total Computed Price
0355-10	GeoBlock Turf Reinforcement	SY	142		\$	\$
0360-10	Concrete Turf Blocks	SY	17		\$	\$
0400-10	Wet Well and Top Slab Construction	LS	1		\$	\$
0400-15	Valve Vault and Top Slab Construction	LS	1		\$	\$
0400-20	Flowmeter Vault and Top Slab Construction	LS	1		\$	\$
0400-25	Intake Structure	LS	1		\$	\$
0405-10	Aluminum Hatches (7) and Cast Iron Clean -Out	LS	1		\$	\$
0405-15	Valve and Flowmeter Vaults Hatch and Floor Drains	LS	1		\$	\$
0410-16	16" Ductile Iron MJ Forcemain	LF	20		\$	\$
0410-16-1	16" Ductile Iron MJ Restrained Fittings	EA	3		\$	\$
0410-24	24" Ductile Iron MJ Forcemain	LF	400		\$	\$
0410-24-1	24" Ductile Iron MJ Restrained Fittings	EA	8		\$	\$
0415-20	Intake Screen	LS	1		\$	\$
0420-20	Ductile Iron Pump Station Piping	LS	1		\$	\$
0424-36	36" PVC C-905 Intake Pipe	LF	100		\$	\$
0424-40	Emergency Pump Connection	EA	2		\$	\$
0425-10	Inlet Top Slab - 8" thick	LS	1		\$	\$

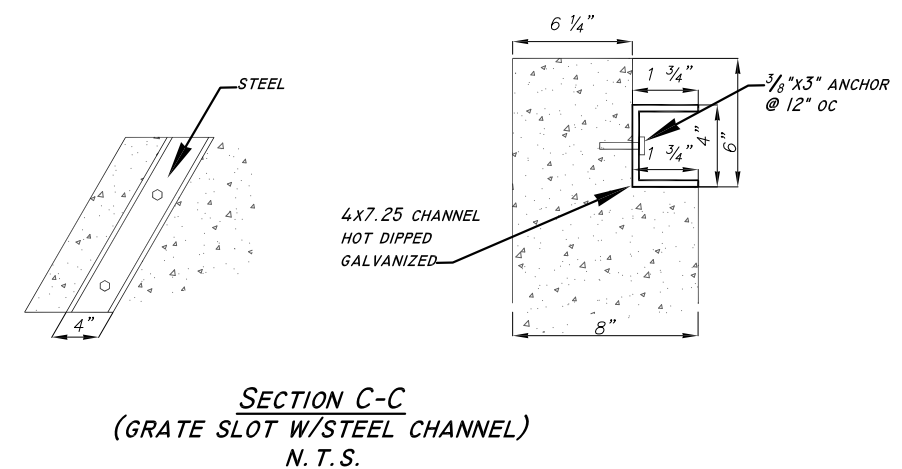
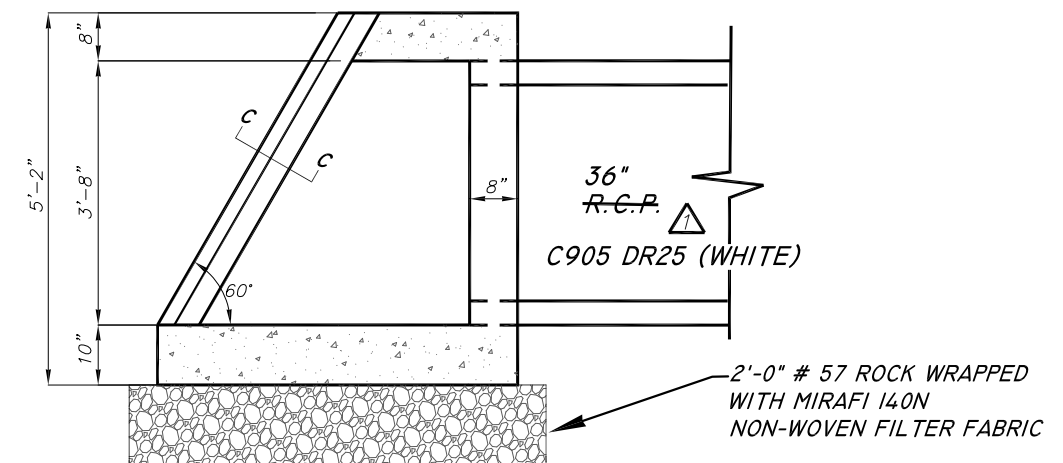
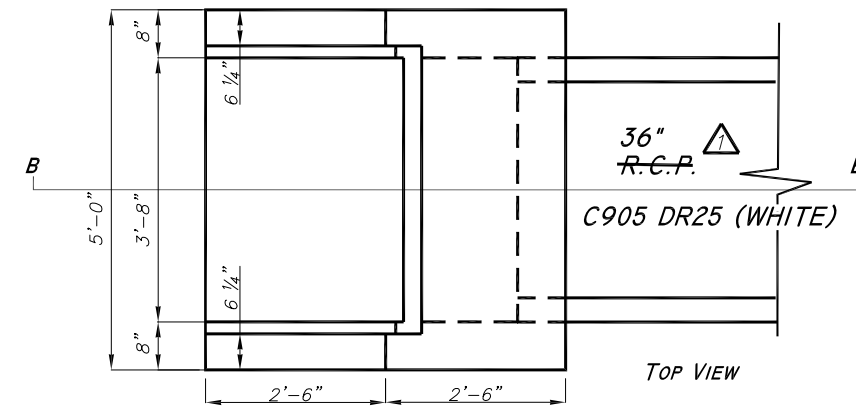
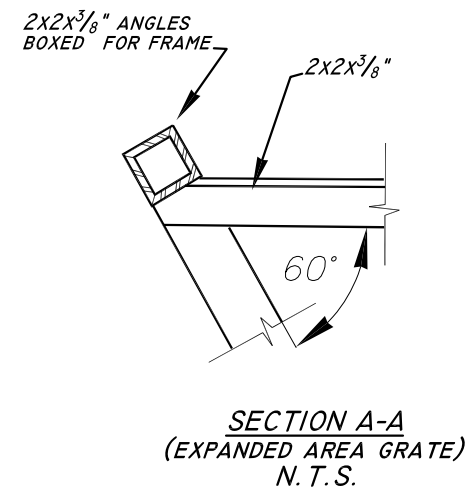
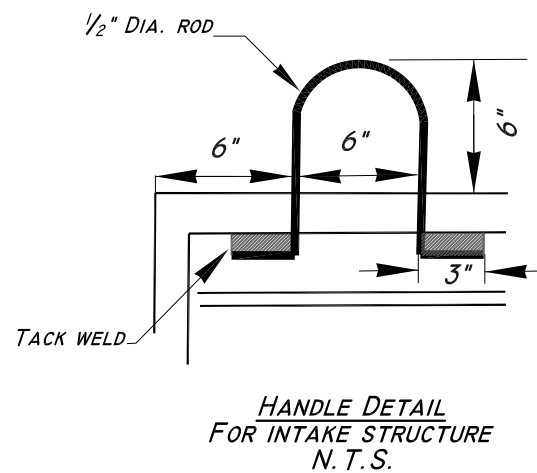
Item No.	Description	Unit	Approx. Quantity	Unit Price in Words	Unit Price	Total Computed Price
0425-15	Modify Existing Manhole	LS	1		\$	\$
0430-23	14" x 23" ERCP Pipe	LF	60		\$	\$
0430-24	24" RCP Pipe	LF	30		\$	\$
0432-14	Three 14" Plug Valves	LS	1		\$	\$
0432-16	Three 14" Check Valves	LS	1		\$	\$
0432-36	One 36" Canal Gate Valve	LS	1		\$	\$
0435-6	Repair/Replace Water or Wastewater Service	EA	6		\$	\$
0438-10	Three Flygt Submersible Pumps	LS	1		\$	\$
0469-10	Pump Control and Instrumentation	LS	1		\$	\$
0520-10	Concrete Type B Curb	LF	175		\$	\$
0520-15	Remove and Replace Granite Curb	LF	100		\$	\$
0550-10	Chain Link Fence	LF	15		\$	\$
0570-10	Sod	SY	1250		\$	\$
2103W	F&I 6" ductile iron pipe w/ Polywrap	LF	143		\$	\$
2600W	Cut and plug 3" and smaller in diameter pipe	EA	2		\$	\$
3001W	F&I 6" wedge-action or flange restraint	EA	15		\$	\$
3041W	F&I 6" bell and MJ restraint on existing pipe	EA	3		\$	\$
3071W	Furnish 6" push-on restraint gaskets	EA	8		\$	\$
4005W	F&I 6" ductile iron bends, offset, sleeves or reducers w/ DIP	EA	6		\$	\$

SW



NOTES:

1. VERIFY DIMENSIONS
IN THE FIELD.
2. HOT DIP GALV.
AFTER FABRICATION.



No.	DATE	REVISIONS
3		
2		
1	10/11/17	CORRECTED PIPE MATERIAL

DES: MTM
DRN: MP
CKD:
DATE:

CITY of TAMPA
Department of Transportation
and Stormwater Services
Stormwater Engineering Division

ROBLES PARK PUMP STATION REPLACEMENT
INTAKE STRUCTURE DETAILS

SHEET
C-14
OF 65

CONTRACT 17-C-00029; Robles Park Pump Station Replacement - Pre-Bid Mtg. 10/10/2017; 2:00p.m.

E-Mail to Register as a Plan Holder and E-Mail All Questions to; ContractAdministration@tampagov.net

Sign-In Sheet Please Print

City of Tampa, Contract Administration Department

	Name	Organization	E-Mail OR Phone
1	Jim Greiner, PE	Tampa Contract Administration Dept.	Jim.Greiner@tampagov.net
	LAKE HAYWARD	TLC Diversified	lakes@tcdiv.com
4	Kunal Shinda	KIEWIT	kunal.shinda@kiewit.com
5	DANIEL E. HAWKINS	Carl Hawkins Inc	CarlHawkinsInc@TampaBayFL.com
6	BERNIE BARRILE	DOUGLAS W. HIGGINS, INC	bernieb@dwhiggins.com
7	SHANE AUDIBERT	KAMMINGA & ROOBUETS	Quotes@KANDRINGFL.COM
8	VICTOR RIVERA	SPRUNIVERSAL/ESTHIL ^{LL}	SPRUNIVERSAL@HOTMAIL.COM
9	PATRICK TEAKLE	KIEWIT	PATRICK.TEAKLE@KIEWIT.COM
10	Michael Miller	City of Tampa	michael.T.miller@tampagov.net
11	MICHAEL O'KEEFE	COT/CAD	michael.o'keefe@tampagov.net
12	NORBERTO JAIME	PRIME CON	njaimel@primeconstructiongroup.com
13	Mark R Johnson	COT/CAD	mark.johnson@Tampagov.net
14	SCOTT HARTNESS	Ground Works	SHartness@GroundWS.com
15	FRANK WOODARD	COT CAD	FRANK.WOODARD@TAMPAGOV.NET
16	SYED LAER ALI	LAER ALI & ASSOCIATES	DESIGNBUILDBYLAER@gmail.com
17	Ahmad Erchid	TBCEI	aerchid@tbcei.com
18			
19			
20			
21			
22			
23			
24			
25			
26			
27			
28			
29			
30			
31			
32			
33			
34			
35			
36			