



CITY OF TAMPA

Bob Buckhorn, Mayor

Contract Administration Department

Michael W. Chucran, Director

ADDENDUM 2

January 25, 2019

Contract 18-C-00042; Cordelia and Greco Pump Stations Rehabilitation

Bidders on the above referenced project are hereby notified that the following addendum is made to the Contract Documents. BIDS TO BE SUBMITTED SHALL CONFORM TO THIS NOTICE.

- Item 1: Replace Proposal Page P-2 with the attached Page P-2R
- Item 2: Replace Cordelia Sheet 7 with the attached revised Cordelia Sheet 7.
- Item 3: Replace Cordelia Sheet 11 with the attached revised Cordelia Sheet 11.
- Item 4: Replace Cordelia Sheet E5 with the attached revised Cordelia Sheet E5.
- Item 5: Replace Greco Sheet 6 with the attached revised Greco Sheet 6.
- Item 6: Replace Greco Sheet 8 with the attached revised Greco Sheet 8.
- Item 7: Replace Greco Sheet E4 with the attached revised Greco Sheet E4.
- Item 8: Attached is a copy of the pre-bid meeting sign-in sheet.

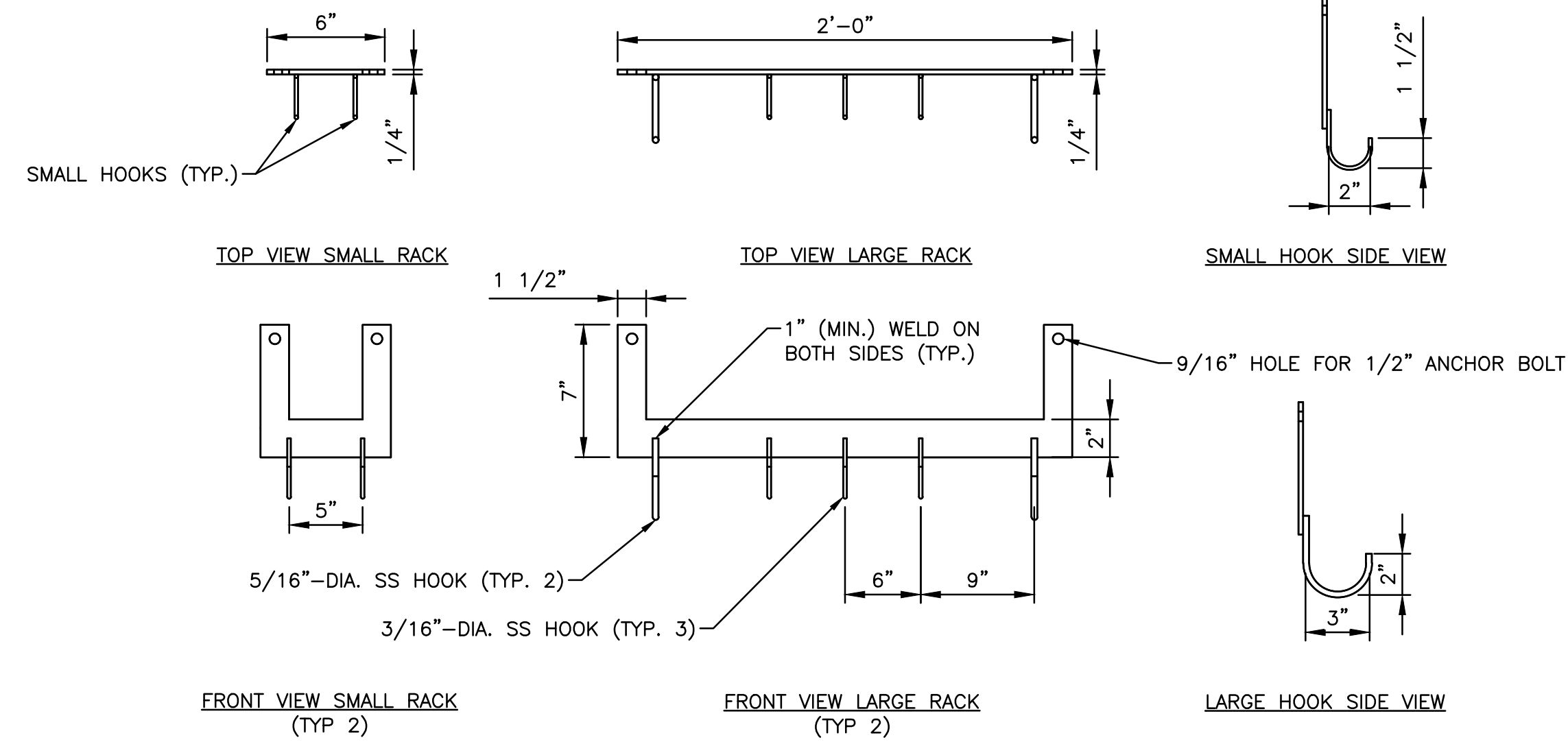
All other provisions of the Contract Documents and Specifications not in conflict with this Addendum shall remain in full force and effect. Questions are to be e-mailed to ContractAdministration@tampagov.net.

Jim Greiner

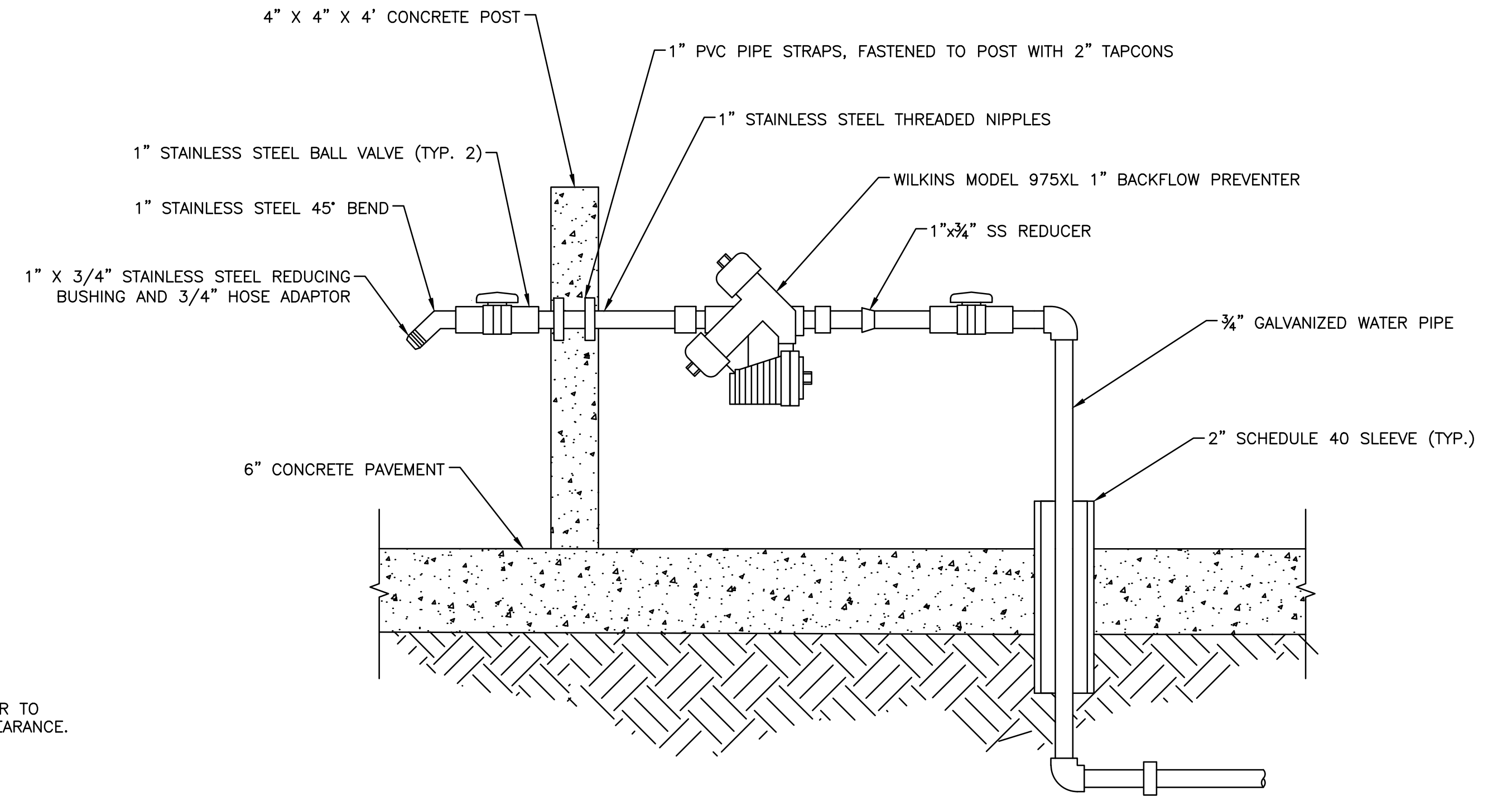
Jim Greiner, P.E. Contract Management Supervisor

18-C-00042 Cordelia and Greco Pump Stations Rehabilitation

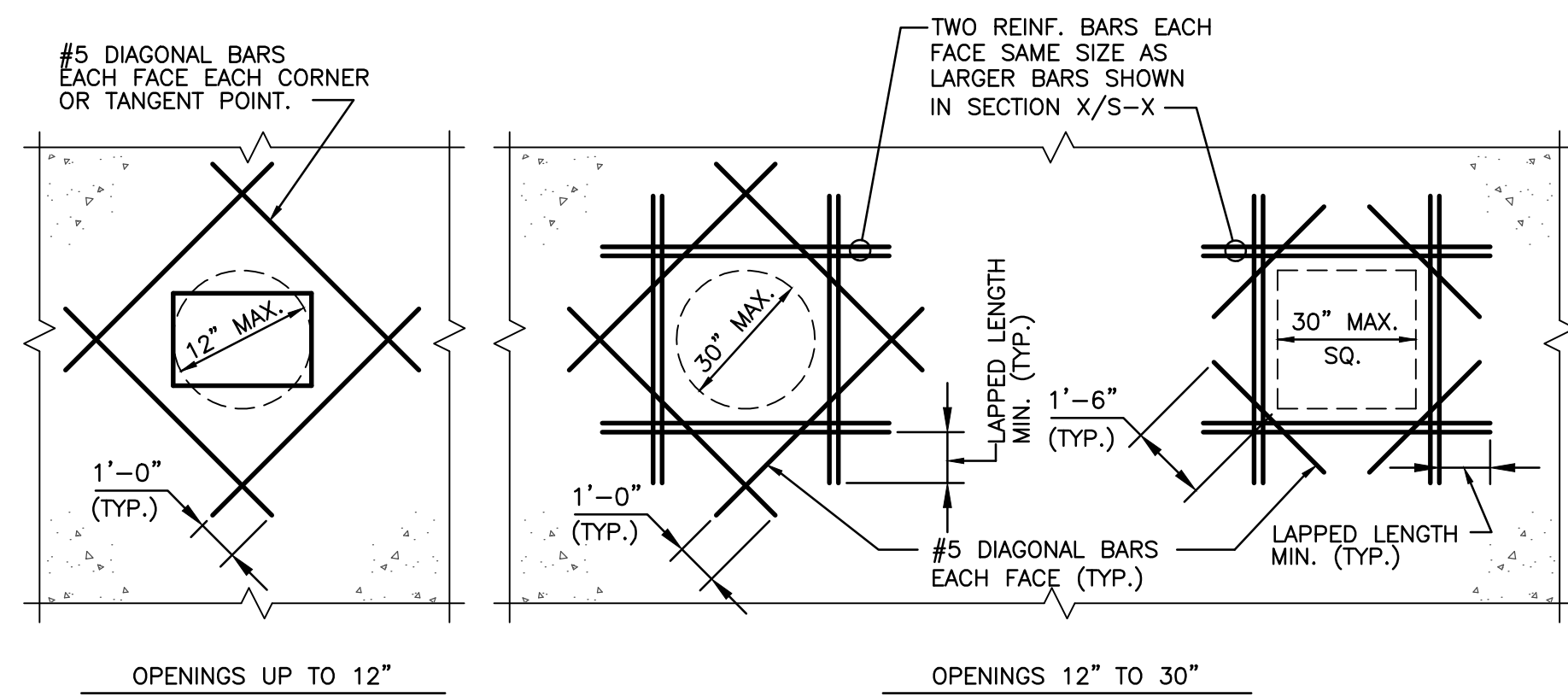
Contract Item No.	Estimated Quantity	Description and Price in Words	Computed Total Price for Item in Figures
ITEM 1 Cordelia Pumping Station	LS	The work includes the furnishing of all labor, equipment, and material for the furnishing all labor, materials and equipment to remove and replace pump station risers, pump bases, piping, valves, bypass, coat wet well, and install electrical components at Cordelia Street Pumping Station as specified in construction plans, any contingency that may be listed in SP-60, and with all associated work required for a complete project in accordance with the Contract Documents.	<p>_____</p> <p>_____ dollars</p> <p>and _____ cents</p> <p style="text-align: right;">\$ _____</p>
ITEM 2 Greco Softball Pump Station	LS	The work includes the furnishing of all labor, equipment, and material for the furnishing all labor, materials and equipment to remove and replace pump station risers, pump bases, piping, valves, bypass, coat wet well, and install electrical components at Greco Softball Complex Pump Station as specified in construction plans, any contingency that may be listed in SP-60, and with all associated work required for a complete project in accordance with the Contract Documents.	<p>_____</p> <p>_____ dollars</p> <p>and _____ cents</p> <p style="text-align: right;">\$ _____</p>
Total Computed Price for Contract 18-C-00042: \$ _____			



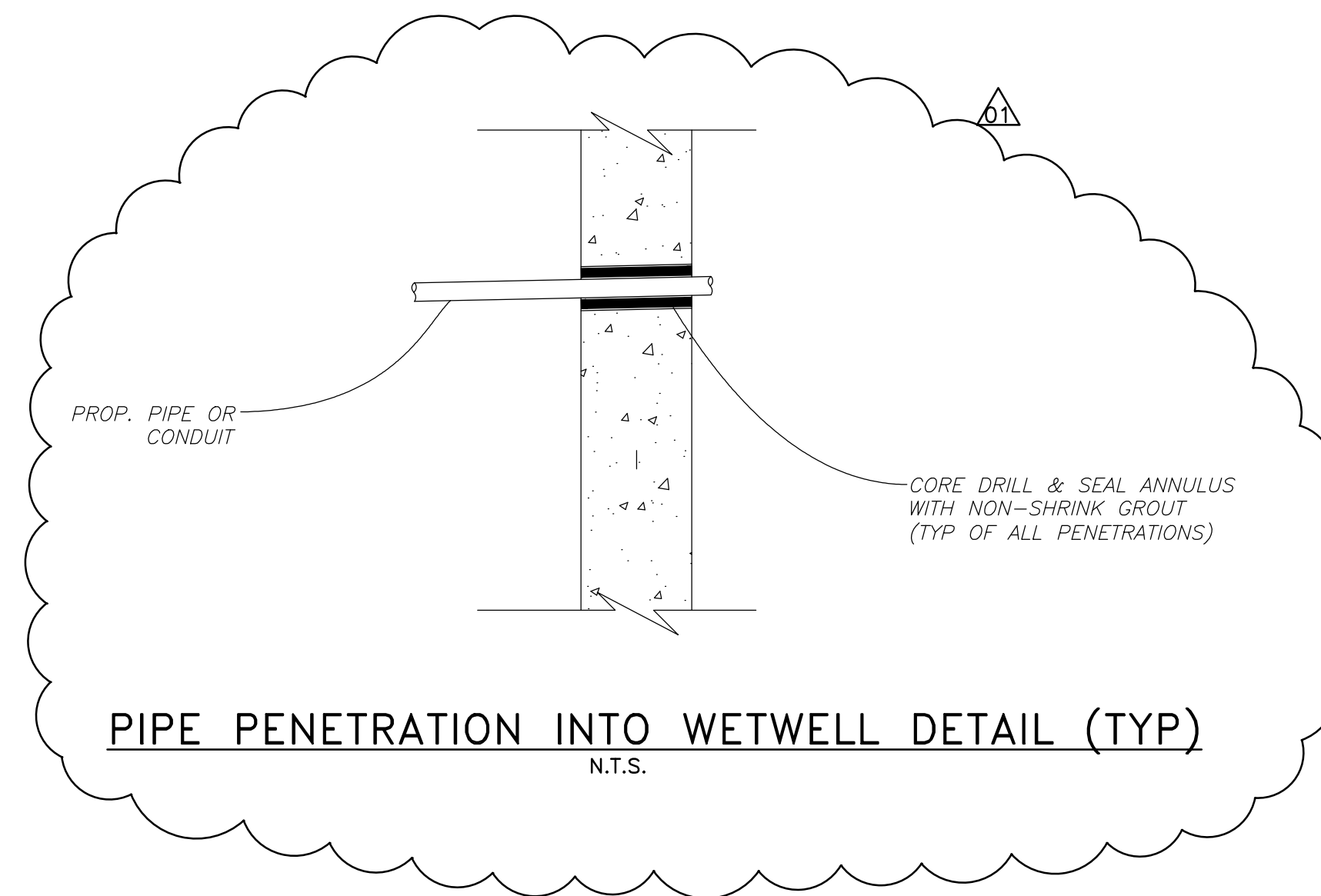
PROPOSED STAINLESS STEEL HOOK RACKS
N.T.S.



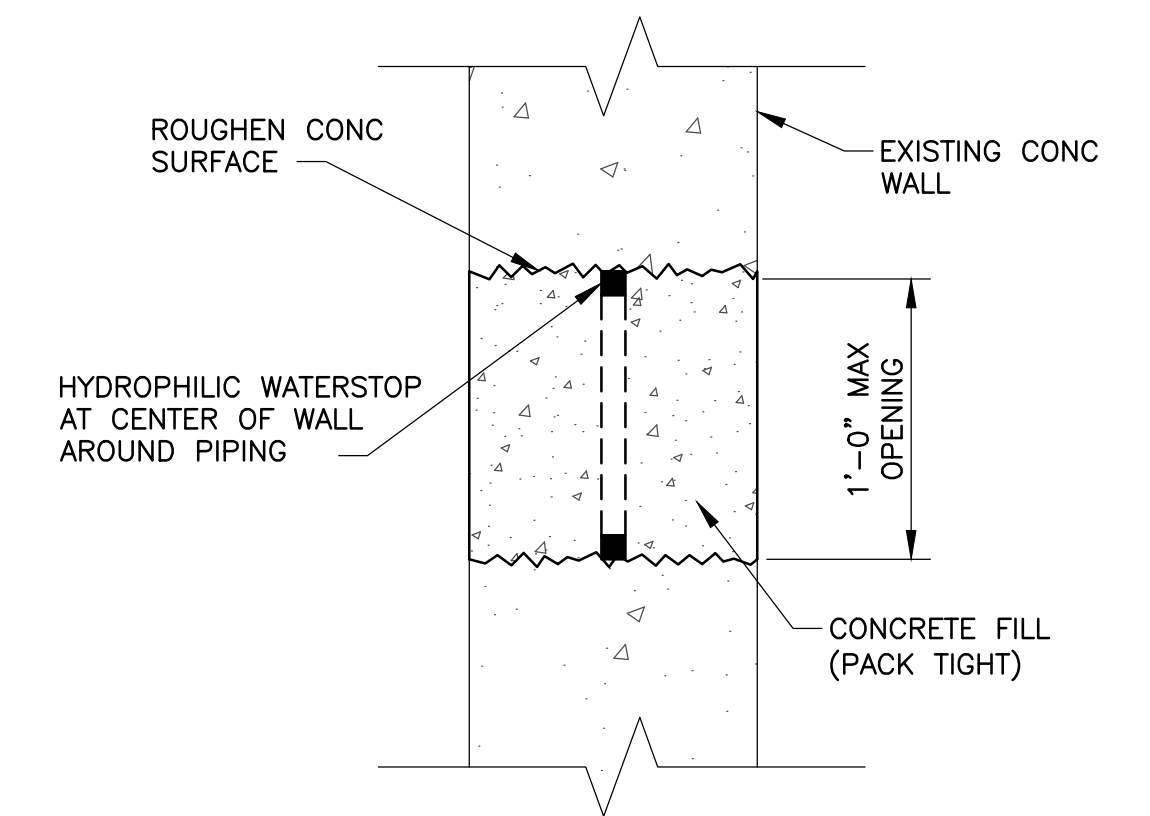
BACKFLOW PREVENTER DETAIL
N.T.S.



REINFORCEMENT DETAILS FOR SMALL OPENINGS
N.T.S.



PIPE PENETRATION INTO WETWELL DETAIL (TYP)
N.T.S.



EXISTING WALL PENETRATION FILL IN DETAIL (12" OR LESS)
N.T.S.

PROJECT MANAGER: J. B. GOSWAMI; FIELD BOOK INFORMATION: (11) DETAILS PLOTTED 1/23/2019 3:21 PM BY STARK, THOMAS

REV#	DATE	DESCRIPTION	BY
01	01/23/19	ADDED PIPE PENETRATION DETAIL	TS

RICARDO G. BORRERO, P.E.
FLORIDA LICENSE NO. 67101

WADE TRIM
201 North Franklin Street, Suite 1350
Tampa, FL 33602
813.882.4373
www.wadetrim.com
Certificate of Authorization No.: 3952

CITY OF TAMPA, FLORIDA
CORDELIA PUMP STATION
REHABILITATION

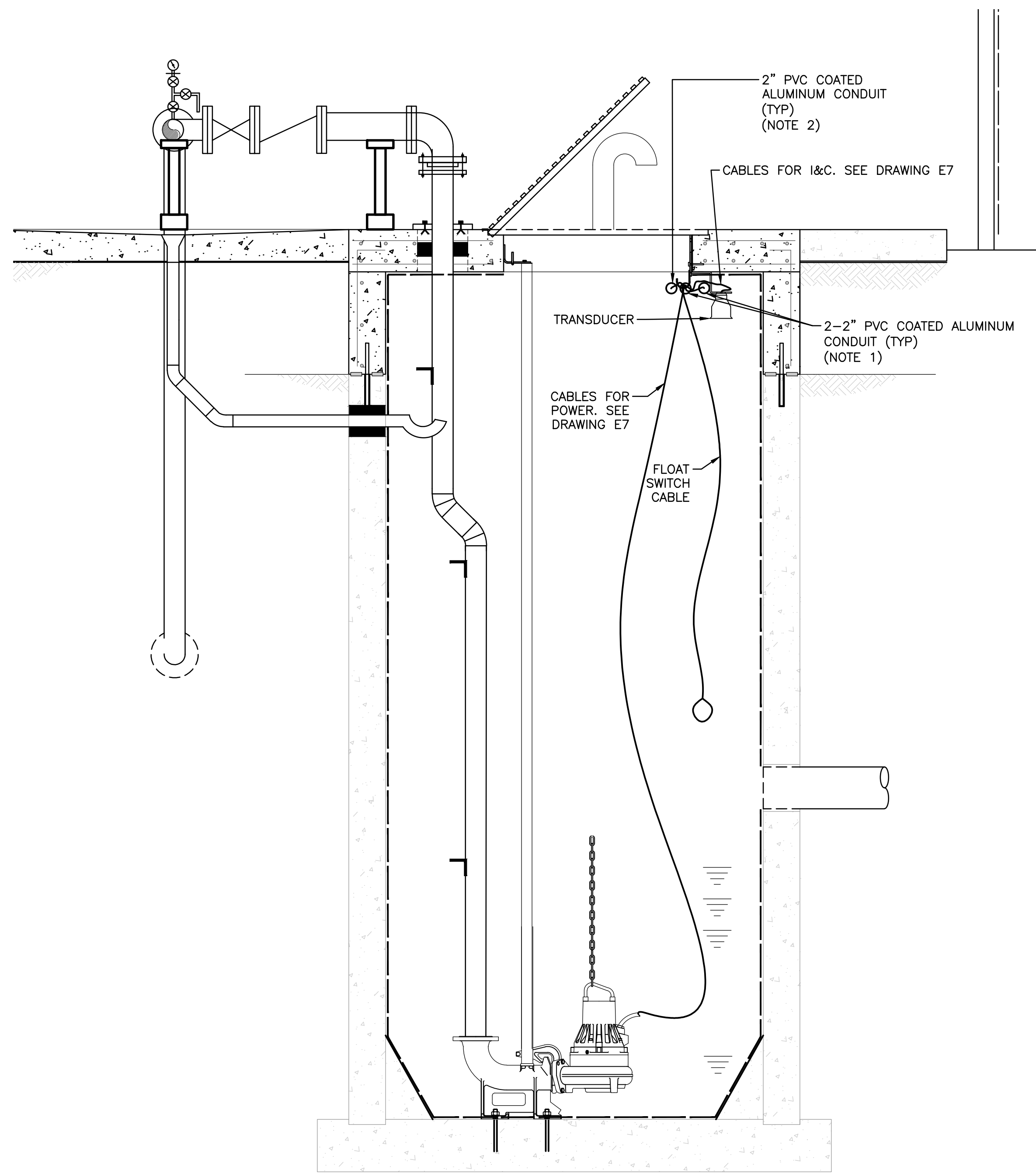
DETAIL SHEET (3 OF 3)

ISSUED FOR: 90% PLANS
DATE: 7-16-18
BY: RGB
100% PLANS 11-20-18 RGB

JOB NO. TPA2007-01M
SHEET 11

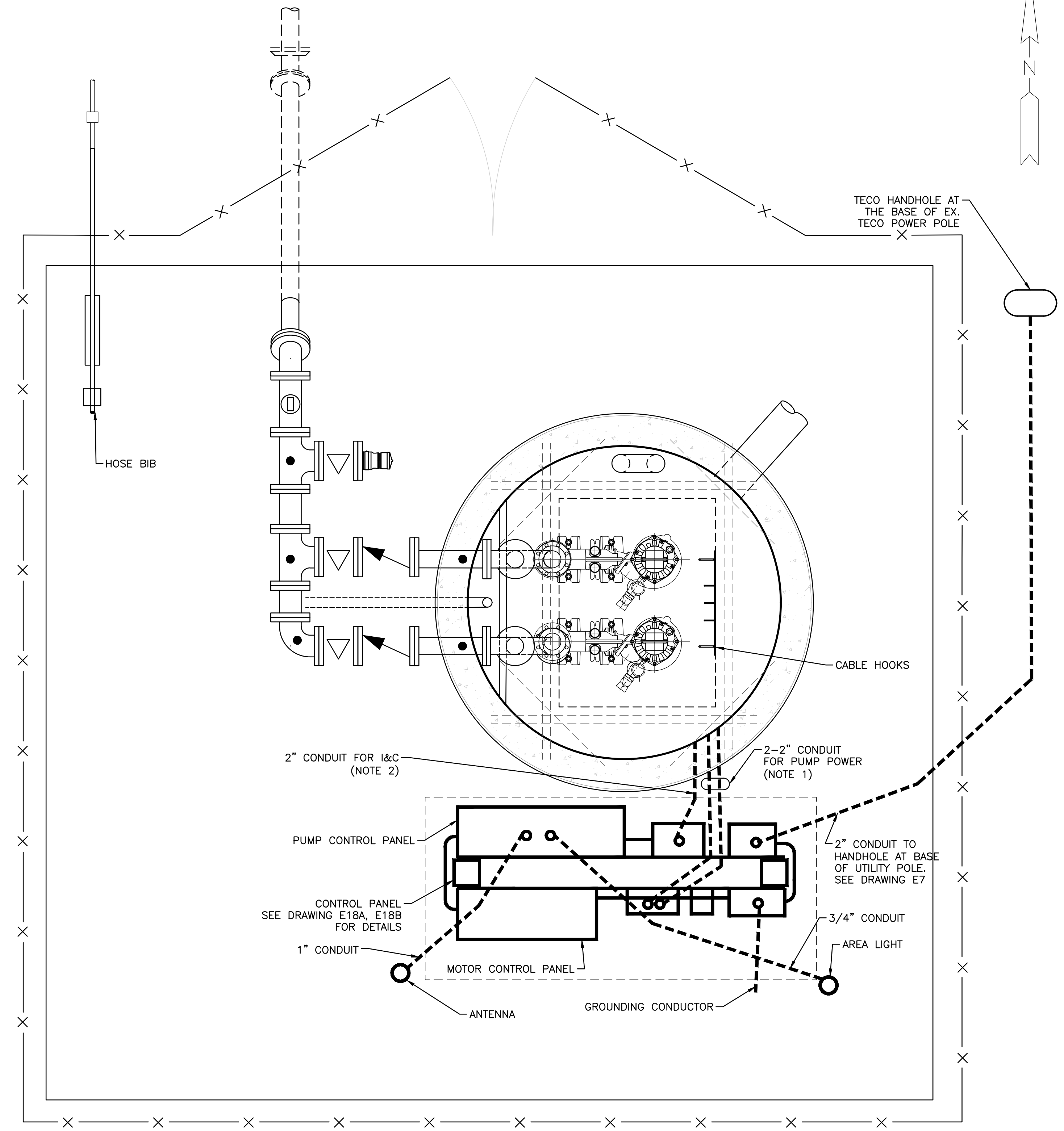
© Wade Trim Group, Inc.

PROJECT MANAGER: jsh Rec'd: FIELD BOOK INFORMATION - E5 - PLOTTED: 7/23/2019 3:13 PM BY STARK, THOMAS
 C:\PLM\WORK\2019\11\LEDS-PLS-CORDELIA STREET SITE PLAN.DWG



SIDE VIEW PUMP STATION: ELECTRICAL SITE PLAN

SCALE: 3/4" = 1'



PUMP STATION: ELECTRICAL SITE PLAN

SCALE: 3/4" = 1'

NOTES:

1. PROPOSED 2" PVC COATED ALUMINUM CONDUITS FOR MOTOR CONDUCTORS. CORE DRILL WET WELL WALL AS REQUIRED TO INSTALL CONDUIT, SEE SHEET 11 FOR PENETRATION DETAIL.
2. PROPOSED 2" PVC COATED ALUMINUM CONDUIT FOR I&C CONDUCTORS. INSTALL CONDUIT AS DESCRIBED IN NOTE 1.

REV#	DATE	DESCRIPTION	BY
01	01/23/19	REMOVED LINK-SEAL, ADDED DETAIL LOCATION	TS

ALAN M. SCHWAB, P.E.
FLORIDA LICENSE NO. 61313



201 North Franklin Street, Suite 1350
 Tampa, FL 33602
 813.882.4373
 www.wadefirm.com
 Certificate of Authorization No.: 3952

CITY OF TAMPA, FLORIDA
 CORDELIA PUMP STATION
 REHABILITATION

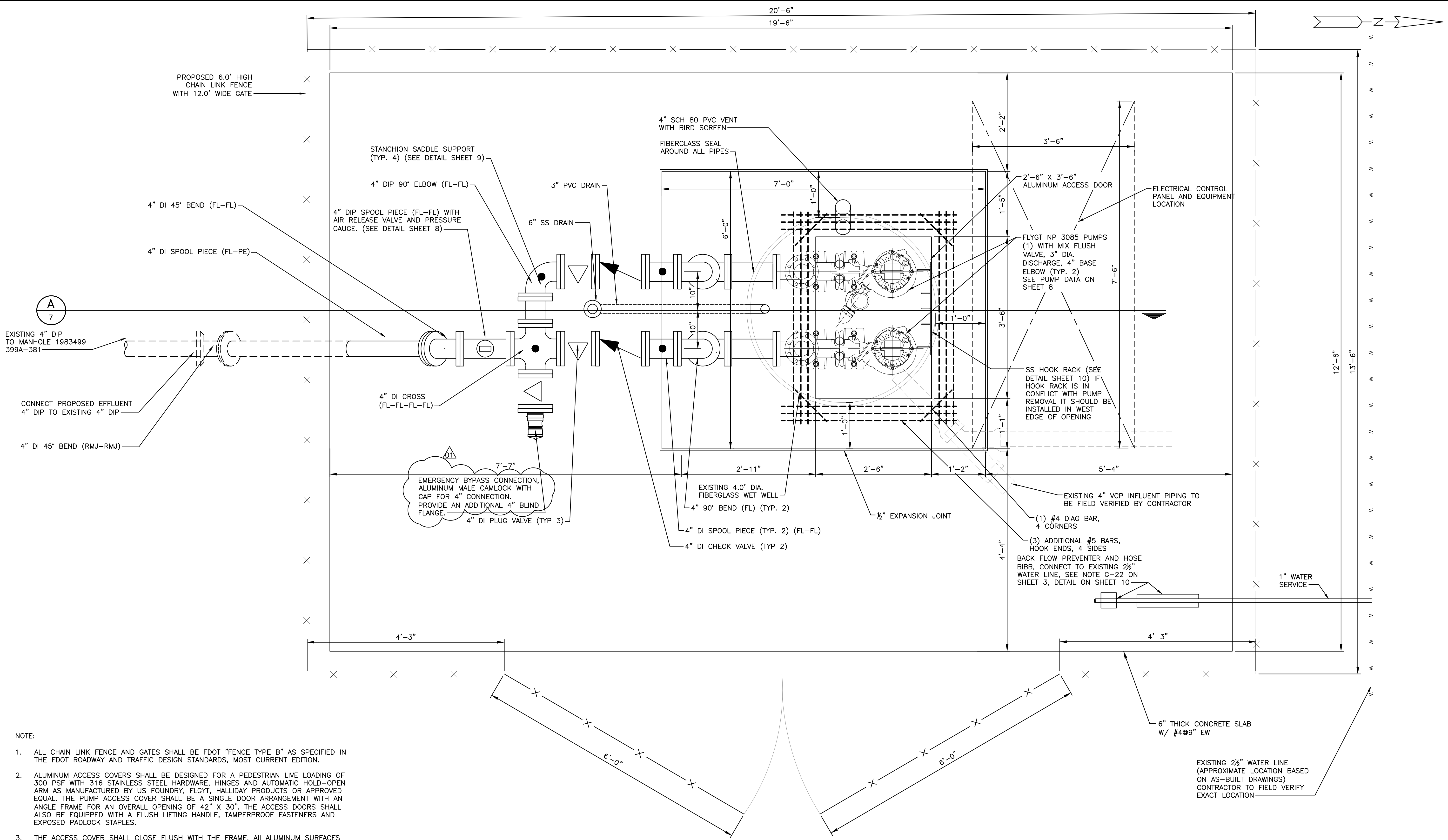
CORDELIA STREET PUMP STATION
 SITE PLAN

ISSUED FOR: DATE: BY:
 90% PLANS 7-16-18 RGB
 100% PLANS 11-20-18 RGB

JOB NO. TPA2007-01M
 SHEET
E5

© Wade Firm Group, Inc. Cordelia PS Rehabilitation

PROJECT MANAGER: J. B. RICHIE, INCORPORATION; FIELD BOOK INFORMATION: CA:\PLANS\WORK\009142\1\050-PLS-GRECO.DWG - (6) PROPOSED GRECO - PLOTTED: 1/23/2019 3:21 PM BY STARK, THOMAS



- NOTE:**
- ALL CHAIN LINK FENCE AND GATES SHALL BE FDOT "FENCE TYPE B" AS SPECIFIED IN THE FDOT ROADWAY AND TRAFFIC DESIGN STANDARDS, MOST CURRENT EDITION.
 - ALUMINUM ACCESS COVERS SHALL BE DESIGNED FOR A PEDESTRIAN LIVE LOADING OF 300 PSF WITH 316 STAINLESS STEEL HARDWARE, HINGES AND AUTOMATIC HOLD-OPEN ARM AS MANUFACTURED BY US FOUNDRY, FLYGT, HALLIDAY PRODUCTS OR APPROVED EQUAL. THE PUMP ACCESS COVER SHALL BE A SINGLE DOOR ARRANGEMENT WITH AN ANGLE FRAME FOR AN OVERALL OPENING OF 42" X 30". THE ACCESS DOORS SHALL ALSO BE EQUIPPED WITH A FLUSH LIFTING HANDLE, TAMPERPROOF FASTENERS AND EXPOSED PADLOCK STAPLES.
 - THE ACCESS COVER SHALL CLOSE FLUSH WITH THE FRAME. ALL ALUMINUM SURFACES THAT CONTACT CONCRETE SHALL BE COATED WITH TWO COATS OF COAL TAR EPOXY OR BITUMINOUS COATING OR EQUAL. THE CONTRACTOR SHALL SUBMIT SHOP DRAWINGS DETAILING THE INSTALLATION AND CONFIGURATION OF THE ACCESS COVERS.
 - CONTRACTOR SHALL PLACE #57 AGGREGATE 3" DEEP, BETWEEN EDGE OF CONCRETE SLAB AND FENCE.

PLAN VIEW
SCALE: 3/4"=1'-0"
(34" X 22" SHEET SIZE)

REV#	DATE	DESCRIPTION	BY
01	01/23/19	ADDED CAMLOCK MATERIAL NOTE.	TS

RICARDO G. BORRERO, P.E.
FLORIDA LICENSE NO. 67101



201 North Franklin Street, Suite 1350
Tampa, FL 33602
813.882.4373
www.wadefirm.com
Certificate of Authorization No.: 3952

CITY OF TAMPA, FLORIDA
GRECO PUMP STATION
REHABILITATION

PROPOSED PLAN VIEW
GRECO SOFTBALL COMPLEX

ISSUED FOR: 90% PLANS 7-18-18 RGB
DATE: 11-20-18 RGB
BY: TPA2007-01M

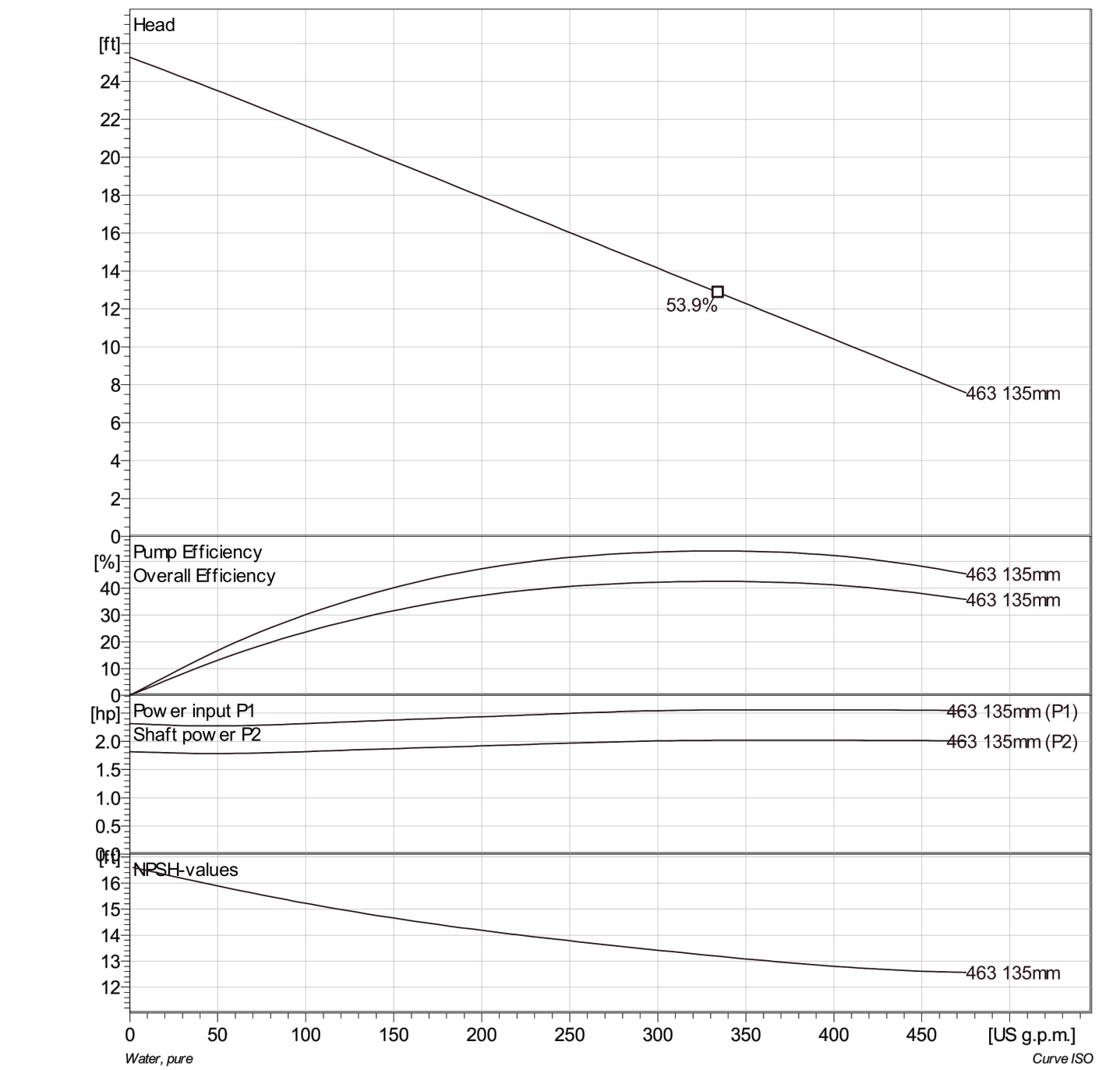
JOB NO. TPA2007-01M
SHEET 6

Greco PS Rehabilitation

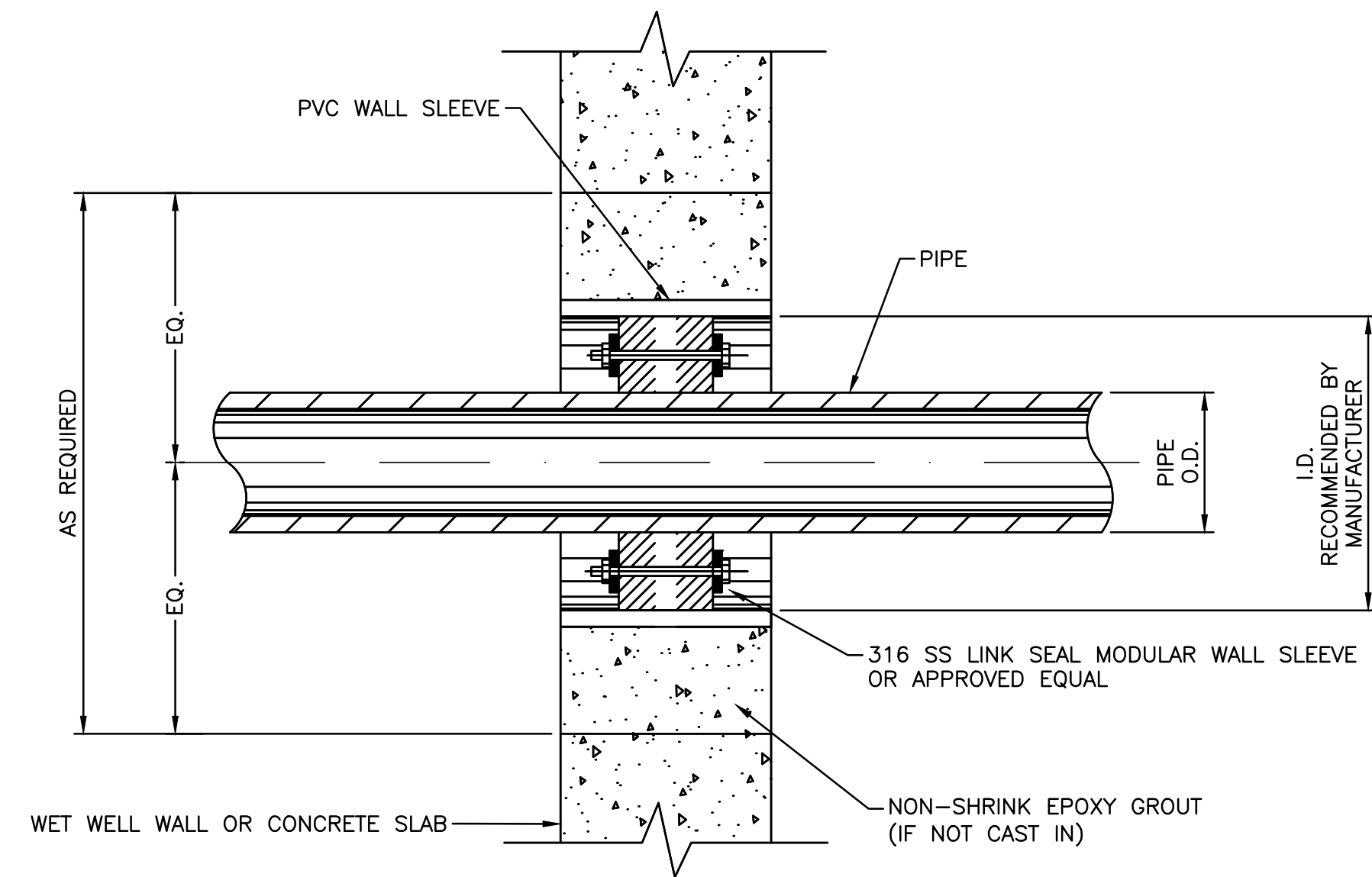
NP 3085 MT 3~ Adaptive 463

Performance curve

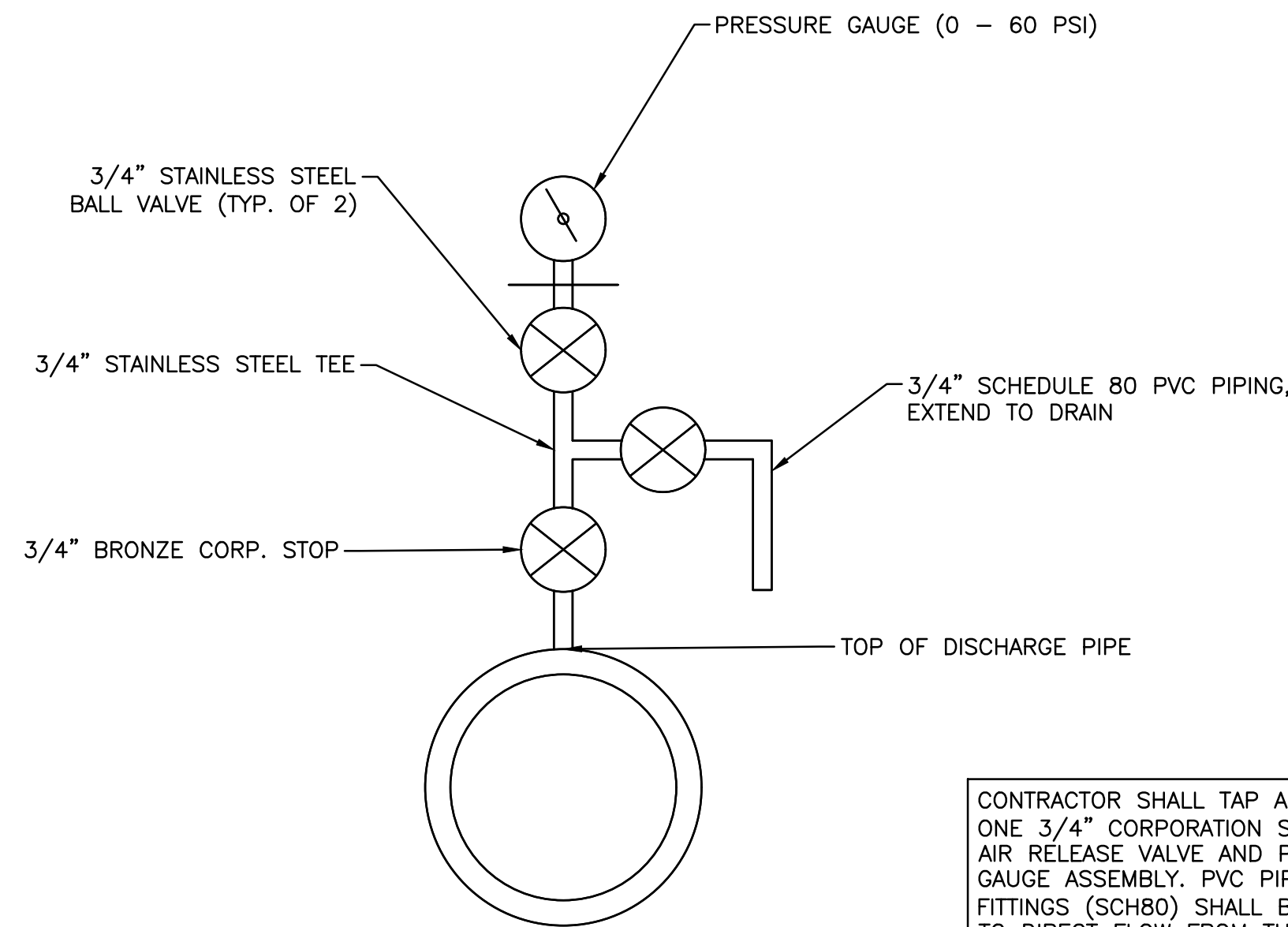
Pump		Motor		Power factor	
Discharge Flange Diameter	3 1/8 inch	Motor #	N3085.060 15-10-4AL-W3hp	1/1 Load	0.83
Suction Flange Diameter	80 mm	Stator variant	12	3/4 Load	0.77
Impeller diameter	5 7/8"	Frequency	60 Hz	1/2 Load	0.66
Number of blades	2	Rated voltage	230 V	Motor efficiency	
		Number of poles	4	1/1 Load	78.1 %
		Phases	3~	3/4 Load	79.1 %
		Rated power	3 hp	1/2 Load	77.4 %
		Rated current	8.7 A		
		Starting current	44 A		
		Rated speed	1700 rpm		



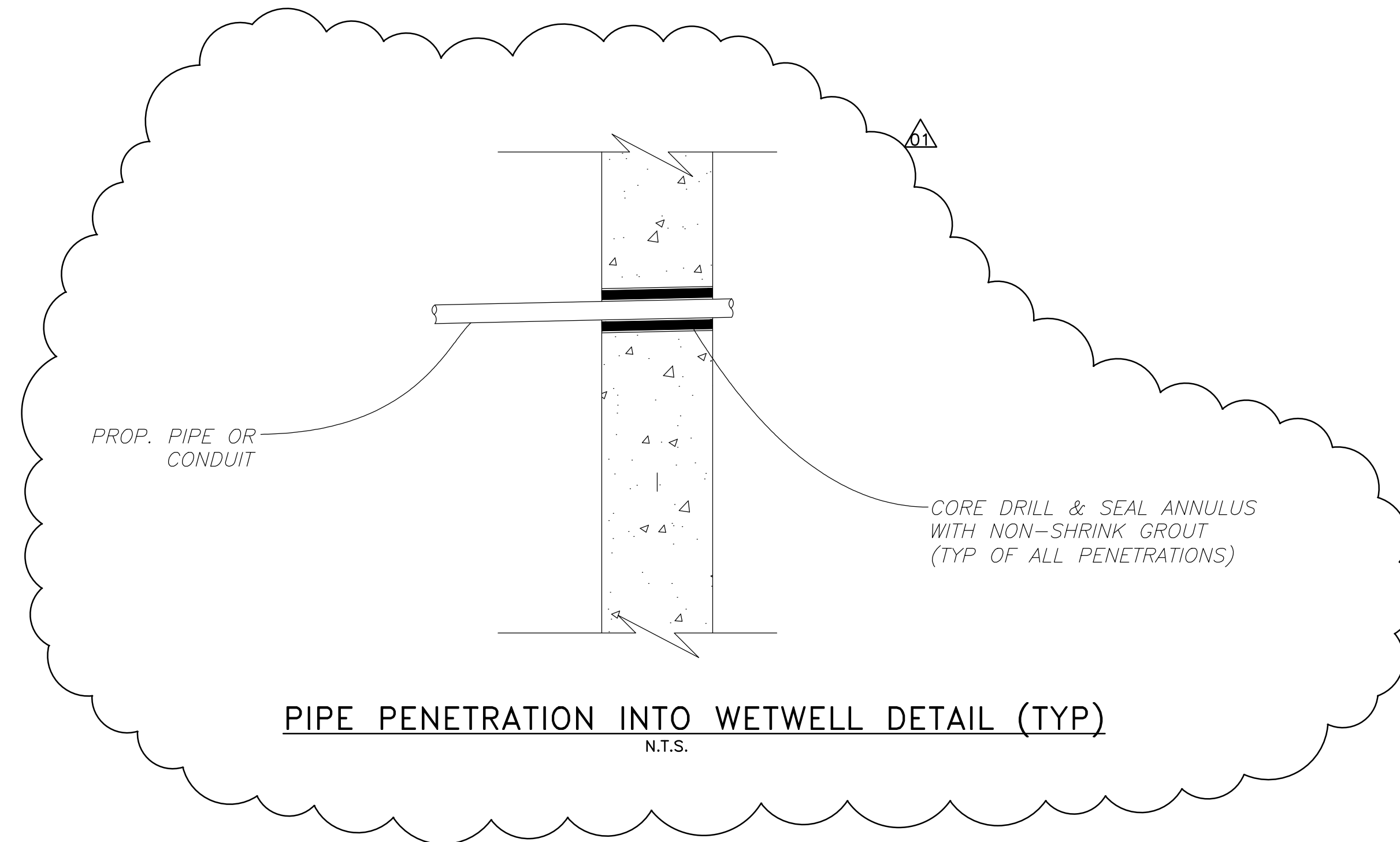
PUMP CURVE DATA



LINK SEAL DETAIL
N.T.S.



AIR RELEASE AND PRESSURE GAUGE ASSEMBLY
N.T.S.



PIPE PENETRATION INTO WETWELL DETAIL (TYP)
N.T.S.

PROJECT MANAGER: J. B. GOSWAMI; FIELD BOOK INFORMATION: C:\P\WORK\2009\11\1\SP-PLS-DETAILS_GRECO.DWG - (B)-DETAILS - PLOTTED 1/23/2019 3:38 PM BY STARK, THOMAS

REV#	DATE	DESCRIPTION	BY
01	01/23/19	ADDED PIPE PENETRATION DETAIL	TS

RICARDO G. BORRERO, P.E.
FLORIDA LICENSE NO. 67101



201 North Franklin Street, Suite 1350
Tampa, FL 33602
813.882.4373
www.wadefirm.com
Certificate of Authorization No.: 3952

CITY OF TAMPA, FLORIDA
GRECO PUMP STATION
REHABILITATION

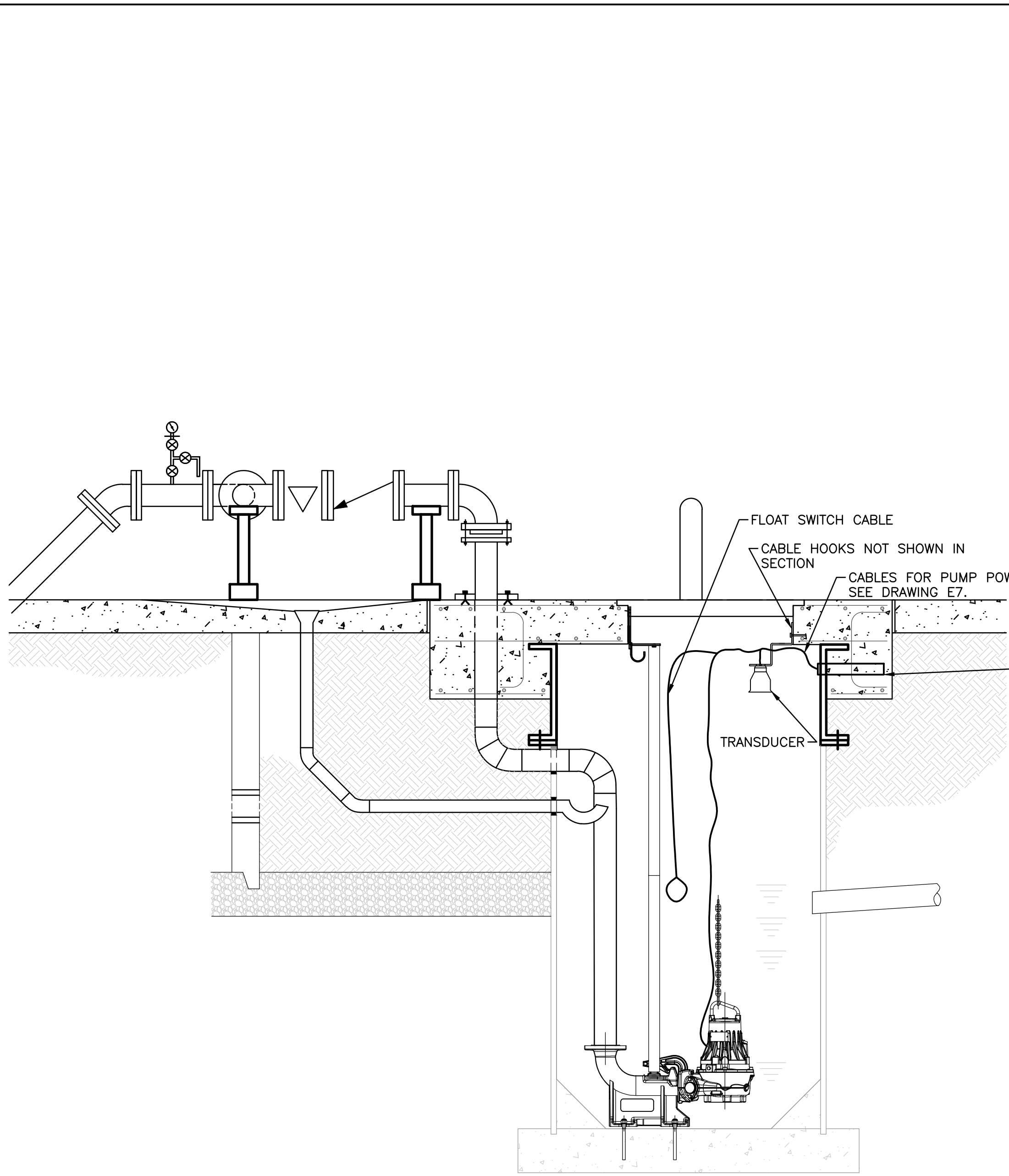
DETAIL SHEET (1 OF 3)

ISSUED FOR: DATE: BY:
90% PLANS 7-16-18 RGB
100% PLANS 11-20-18 RGB

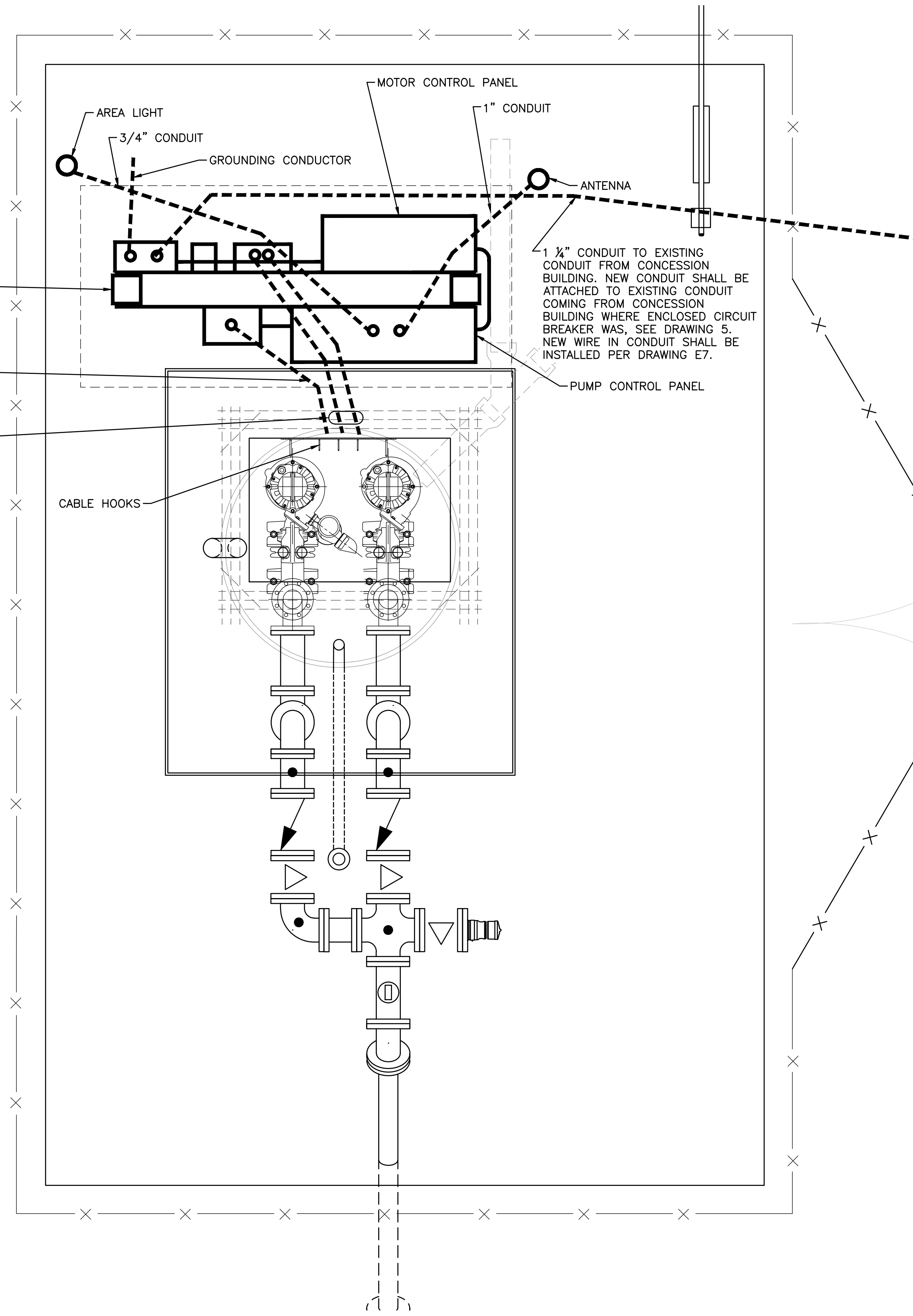
JOB NO.
TPA2007-01M

SHEET
8

© Wade Firm Group, Inc. Greco PS Rehabilitation



SIDE VIEW PUMP STATION: ELECTRICAL SITE PLAN
SCALE: 3/4" = 1'



PUMP STATION: ELECTRICAL SITE PLAN
SCALE: 3/4" = 1'

- NOTES:
1. PROPOSED 2" PVC COATED ALUMINUM CONDUITS FOR MOTOR CONDUCTORS. CORE DRILL WET WELL WALL AS REQUIRED TO INSTALL CONDUIT, SEE SHEET 8 FOR PENETRATION DETAIL.
 2. PROPOSED 2" PVC COATED ALUMINUM CONDUIT FOR I&C CONDUCTORS. INSTALL CONDUIT AS DESCRIBED IN NOTE 1.

PROJECT MANAGER: jsh Rec'd: FIELD BOOK INFORMATION: CA PL 20190205 11:42:11 VEDS-PLS-GRECO SITE PLANDWG - E4 - PLOTTED: 1/23/2019 3:16 PM BY: STARK, THOMAS

REV#	DATE	DESCRIPTION	BY
01	01/23/19	REMOVED LINK-SEAL, ADDED DETAIL LOCATION	TS

ALAN M. SCHWAB, P.E.
FLORIDA LICENSE NO. 61313

201 North Franklin Street, Suite 1350
Tampa, FL 33602
813.882.4373
www.wadetrim.com
Certificate of Authorization No.: 3952

CITY OF TAMPA, FLORIDA
GRECO PUMP STATION
REHABILITATION

SITE PLAN

ISSUED FOR: 90% PLANS 7-18-18 RGB
DATE: 11-20-18 RGB
BY: 11-20-18 RGB

JOB NO. TPA2007-01M
SHEET E4

© Wade Trim Group, Inc. Greco PS Rehabilitation

E-Mail to Register as a Plan Holder and E-Mail All Questions to ContractAdministration@tampagov.net

Sign-In Sheet Please Print

City of Tampa, Contract Administration Department

	Name	Organization	E-Mail OR Phone
1	Jody Gray	Tampa Contract Administration Dept.	jody.gray@tampagov.net
2	Thomas Stark	Wade Trim	Tstark@wadetrim.com
3	Lashonda Green	COT IWW	lashonda.green@tampagov.net
4	Eric Patten	COT AWTP	ERIC.PATTEN@TAMPAGOV.NET
5	John Julian	COT AWTP	John.Julian@TampaGov.net
6	Javier Moreno	COT AWTP	813-526-0224
7	Kevin Schuck	COT AWTP	813 267-9444
8	Christine Bruno	COT CAD	813-274-8684
9	Julio Lopez	COT/CAD	Julio.Lopez@TampaGov.net
10	Mark Johnson	COT/CAD	mark.johnson@ " "
11	Steve von Bastard	MWI Pump	813-308-3271 StevenV@mwipumps.com
12	Scott Meccar	Sheppard Electrical ^(COT) HANCO	813-781-2853 scottmeccar@sheppardinc.com
13	Donald DEMONIA	CEC motor	demonia@CECmotor.com
14	Karloren Guzman	COT WW	karloren.guzman@tampagov.net
15	Craig Godwin	Godwin Pumps / Xylem	Craig.godwin@ godwin xylem.com
16	Russ DesErmia	TLC Diversified	bids@tldiv.com
17	Angel Wood-Mark	Phinazee Construction	awm@phinazeerconsulting.com
18	John Pacifici	Wade Trim	jpacifici@wadetrim.com
19	Andrew Lewis	Phinazee Construction	
20			
21			
22			
23			
24			
25			
26			
27			
28			
29			
30			
31			
32			
33			
34			
35			
36			