

The Enclosed Document Is Provided For Your Convenience.

Please Email ALL Questions:

[MailTo:ContractAdministration@TampaGov.net](mailto:ContractAdministration@TampaGov.net)

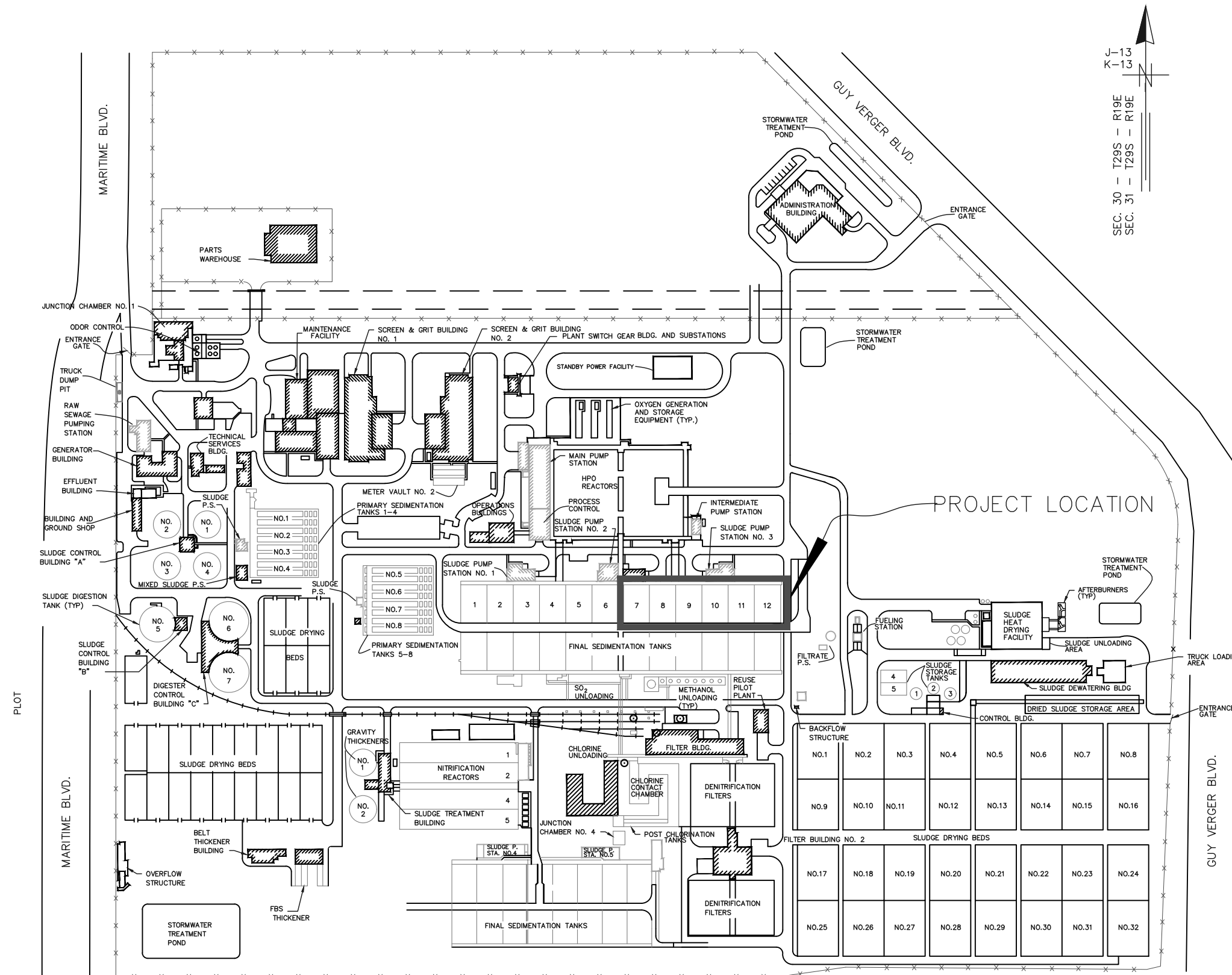
Please Let Us Know If You Plan To Bid

City of Tampa
Contract Administration Department
306 E. Jackson St. #280A4N
Tampa, FL 33602
(813)274-8456

CITY OF TAMPA
HOWARD F. CURREN
ADVANCED WASTEWATER
TREATMENT PLANT

2700 MARITIME BLVD.
TAMPA, FL 33605
(813) 247-3451
FAX: (813) 248-5269

J-13
K-13
SEC. 30 - T29S - R19E
SEC. 51 - T29S - R19E



INDEX OF DRAWINGS	
SHEET #	TITLE
1	COVER SHEET
2	PROJECT LOCATION MAP AND INDEX
3	GENERAL NOTES AND TABLE
4	FINAL SEDIMENTATION TANKS PLAN VIEW
5	INFLUENT CHANNEL AIR PIPING PROPOSED PLAN & SECTION (1)
6	INFLUENT CHANNEL AIR PIPING PROPOSED PLAN & SECTION (2)
7	MISCELLANEOUS DETAILS (1)
8	MISCELLANEOUS DETAILS (2)

User: ssak Drawing Name: A: Wastewater Project: Final Final Sedimentation Tanks Process Air Piping Replacement Drawing: WWS 11-1-000011.dwg Layout: Aug 07, 2017 - 3:37pm CTB - MW-TOSHIBA.CTB

No.	DATE	REVISIONS
3		
2		
1		

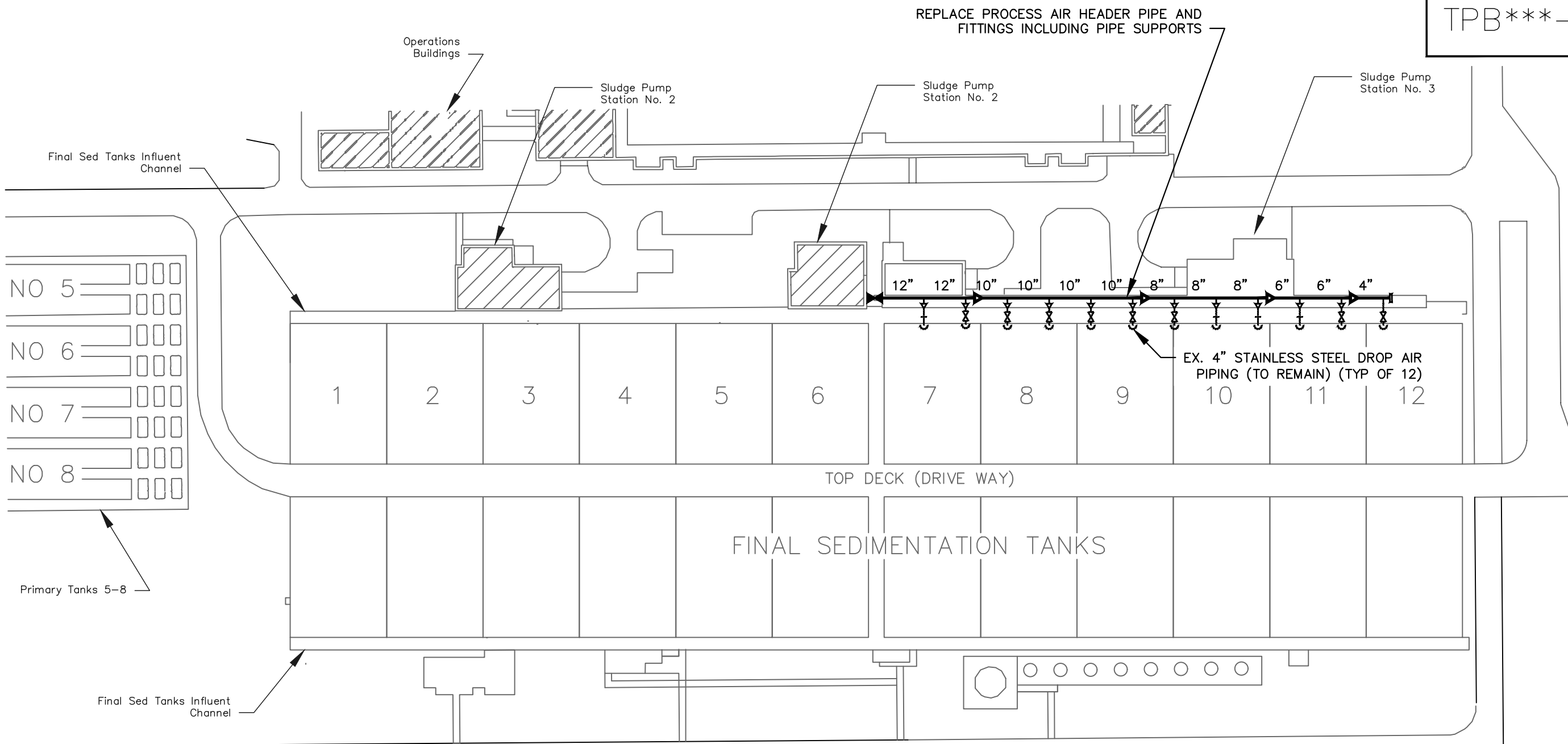
DES: KJG
DRN: MRL
CKD:
DATE:

CITY of TAMPA
WASTEWATER DEPARTMENT

HOWARD F. CURREN AWTP FINAL SEDIMENTATION
TANKS AIR PIPING IMPROVEMENTS
PROJECT LOCATION MAP AND INDEX

SHEET
2

TPB***-***



K-1-13
 SEC. 30 - T29S - R19E
 SEC. 31 - T29S - R19E

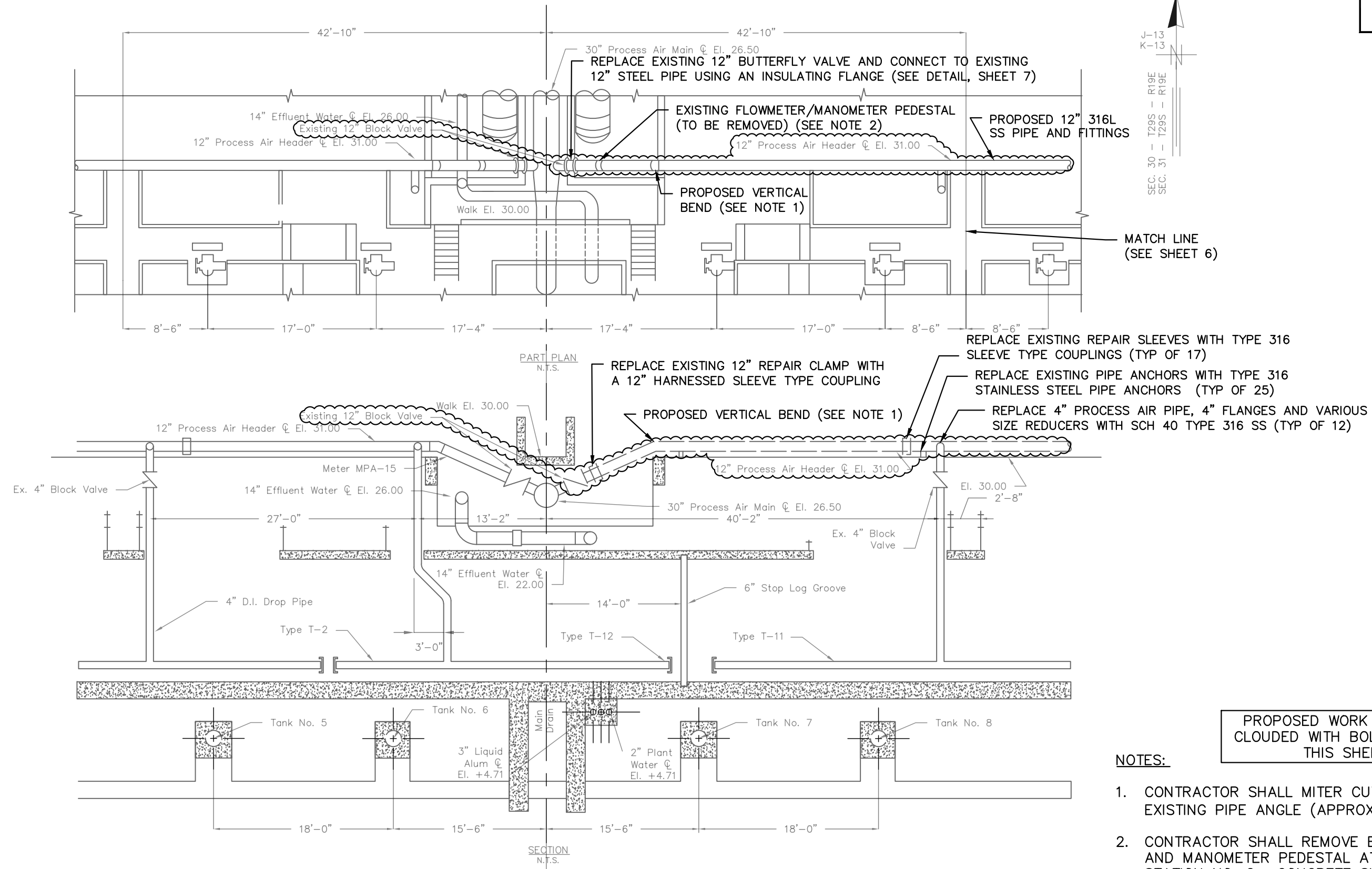
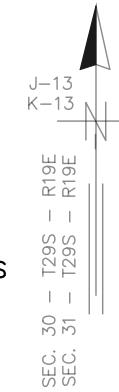
PLAN VIEW
 N.T.S.

LEGEND

- PROPOSED BUTTERFLY VALVE
- EXISTING BUTTERFLY VALVE (TO REMAIN)
- PROPOSED REDUCER
- EXISTING 4" 90° BEND DROP PIPE (TO REMAIN)

USER: SSOAK DRAWING NUMBER: 0 WASTEWATER PROJECTS: LFL-APW-17 FINAL SEDIMENTATION TANKS PROCESS AIR PIPING IMPROVEMENTS PROJECT NUMBER: 17-0-00011-0001
 Layout - Aug 07, 2017 - 3:37pm CTB - WW-TOSHIBA.CTB

JACINTO CARLOS FERRAS, P.E. #49454 DESIGN DIVISION HEAD WASTEWATER DEPARTMENT	No.	DATE	REVISIONS	DES: KJG DRN: MRL CKD: DATE:	CITY of TAMPA WASTEWATER DEPARTMENT	HOWARD F. CURREN AWTP FINAL SEDIMENTATION TANKS AIR PIPING IMPROVEMENTS FINAL SEDIMENTATION TANKS PLAN VIEW	SHEET 4
	3						
	2						
	1						



PROPOSED WORK IS SHOWN CLOUDED WITH BOLD TEXT ON THIS SHEET

NOTES:

1. CONTRACTOR SHALL MITER CUT PIPE TO MATCH EXISTING PIPE ANGLE (APPROX. 22½°)
2. CONTRACTOR SHALL REMOVE EXISTING FLOWMETER AND MANOMETER PEDESTAL AT THE SLUDGE PUMPING STATION NO. 2. CONCRETE SURFACE SHALL BE GROUND BACK TO A SMOOTH CONCRETE SURFACE.

No.	DATE	REVISIONS
3		
2		
1		

DES: KJG
 DRN: MRL
 CKD:
 DATE:

CITY of TAMPA
 WASTEWATER DEPARTMENT

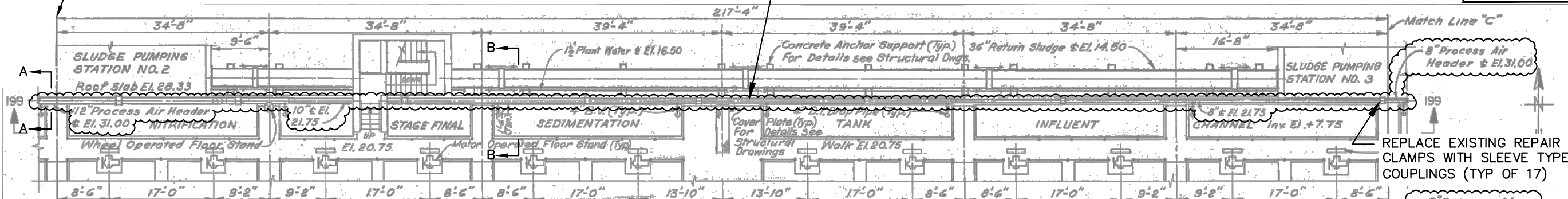
HOWARD F. CURREN AWWP FINAL SEDIMENTATION TANKS AIR PIPING IMPROVEMENTS
 INFLUENT CHANNEL AIR PIPING PROPOSED PLAN & SECTION (1)

JACINTO CARLOS FERRAS, P.E. #49454 DESIGN DIVISION HEAD WASTEWATER DEPARTMENT
 3300 W. GORRUM BLVD. SUITE 100 TAMPA, FL 33609
 813.271.1111
 3-37pm CTB - WW-TOSHIBA.CTB
 Layout - Aug 07, 2017 - 3:37pm

MATCH LINE
(SEE SHEET 5)

PROPOSED 12", 10", 8", 6" AND
4" 316L SS PIPE AND FITTINGS

J-13
K-13
SEC. 30 - T29S - R19E
SEC. 31 - T29S - R19E

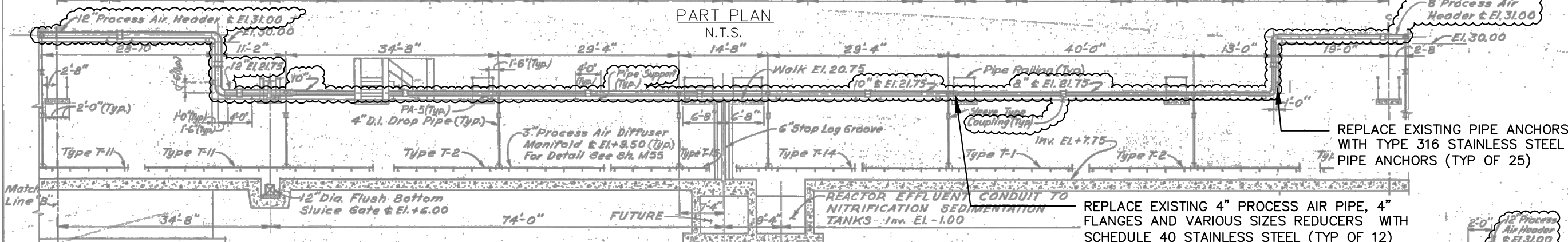


PART PLAN
N.T.S.

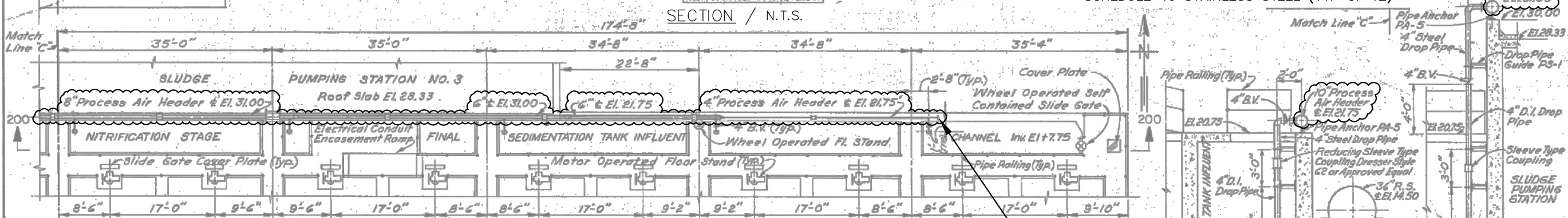
REPLACE EXISTING REPAIR
CLAMPS WITH SLEEVE TYPE
COUPLINGS (TYP OF 17)

REPLACE EXISTING PIPE ANCHORS
WITH TYPE 316 STAINLESS STEEL
PIPE ANCHORS (TYP OF 25)

REPLACE EXISTING 4" PROCESS AIR PIPE, 4"
FLANGES AND VARIOUS SIZES REDUCERS WITH
SCHEDULE 40 STAINLESS STEEL (TYP OF 12)



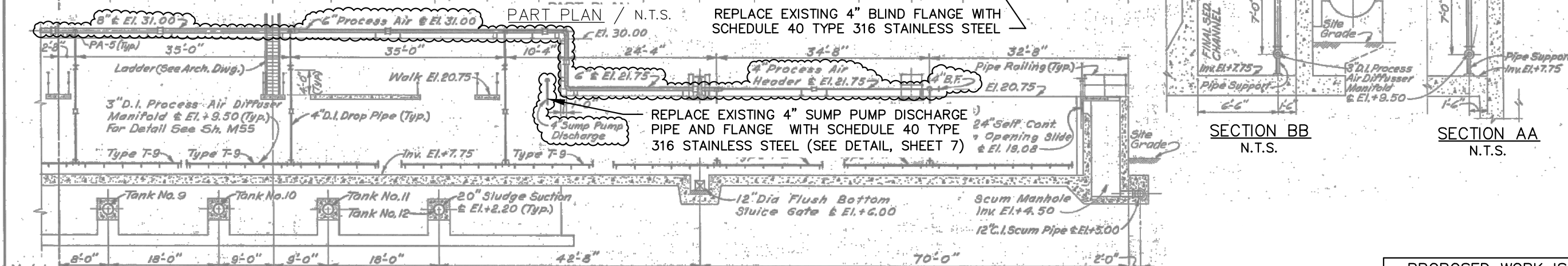
SECTION / N.T.S.



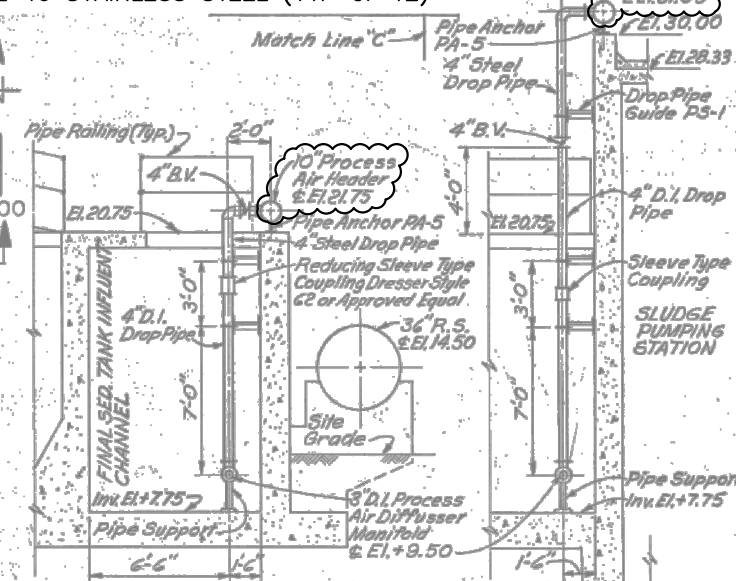
PART PLAN / N.T.S.

REPLACE EXISTING 4" BLIND FLANGE WITH
SCHEDULE 40 TYPE 316 STAINLESS STEEL

REPLACE EXISTING 4" SUMP PUMP DISCHARGE
PIPE AND FLANGE WITH SCHEDULE 40 TYPE
316 STAINLESS STEEL (SEE DETAIL, SHEET 7)



SECTION
N.T.S.



SECTION AA
N.T.S.

SECTION BB
N.T.S.

PROPOSED WORK IS SHOWN
CLOUDED WITH BOLD TEXT ON
THIS SHEET

No.	DATE	REVISIONS
3		
2		
1		

DES: KJG
DRN: MRL
CKD:
DATE:

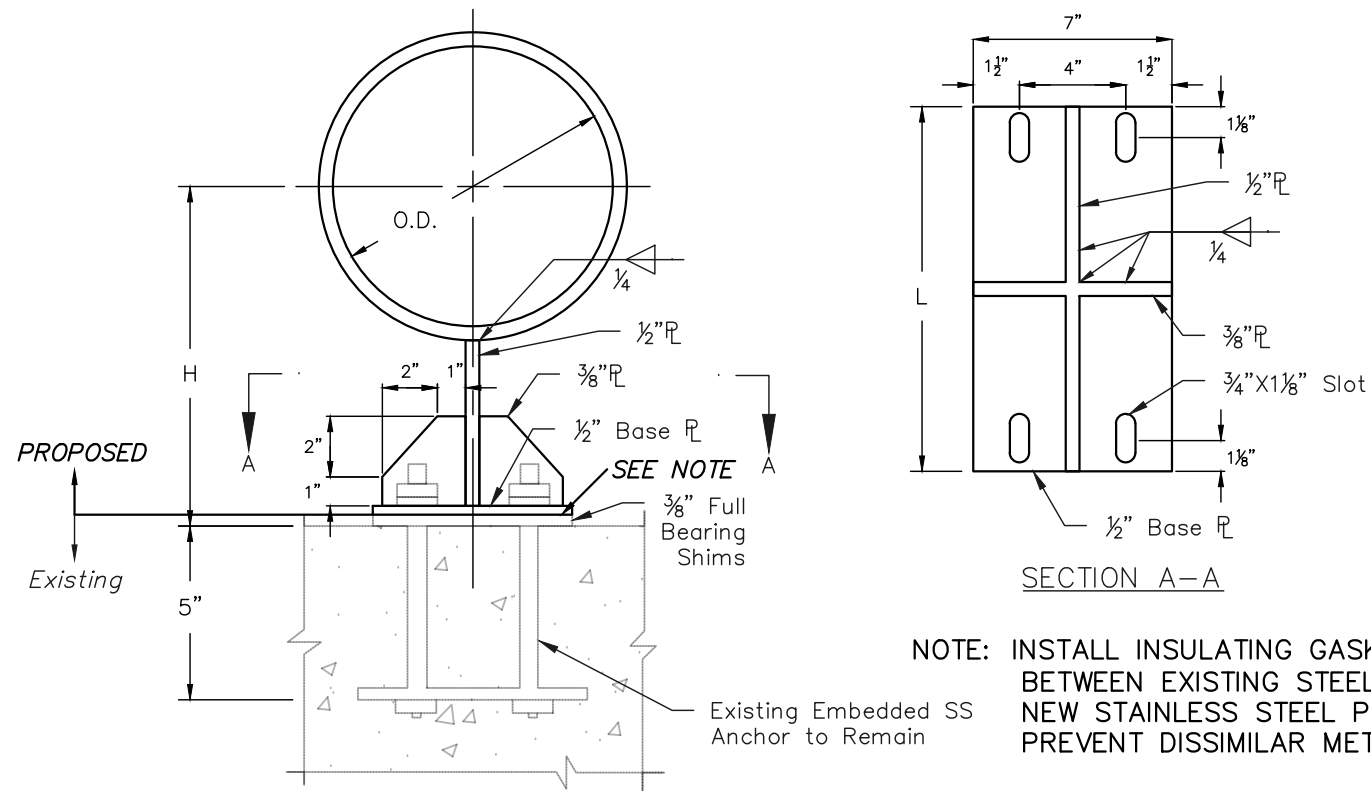
CITY of TAMPA
WASTEWATER DEPARTMENT

HOWARD F. CURREN AWWP FINAL SEDIMENTATION TANKS AIR PIPING
IMPROVEMENTS
INFLUENT CHANNEL AIR PIPING PROPOSED PLAN & SECTION (2)

SHEET
6

User: ssok Drawing name: A: Wastewater Project: IFC - AWWP final sedimentation tanks Process Air Piping replacement Drawing: WWS 17-0-0001.dwg Layout - Aug 07, 2017 - 3:37pm CTB - MW-TOSHIBA.CTB

JACINTO CARLOS FERRAS, P.E.
#49454 DESIGN DIVISION HEAD
WASTEWATER DEPARTMENT

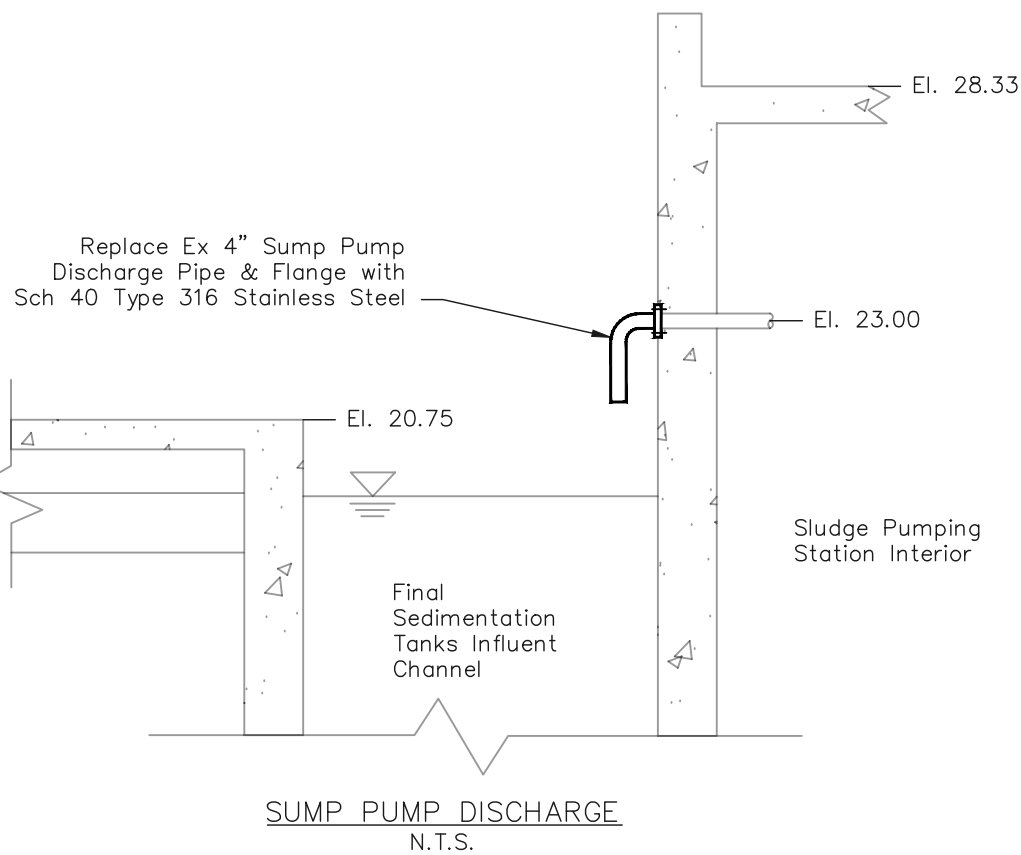


PIPE ANCHOR SCHEDULE		
PIPE O.D.	H	L
4.5	1'-0"	6"
6.625	1'-0"	6"
8.625	1'-0"	8"
10.75	1'-0"	1'-1"
12.75	1'-0"	1'-3"

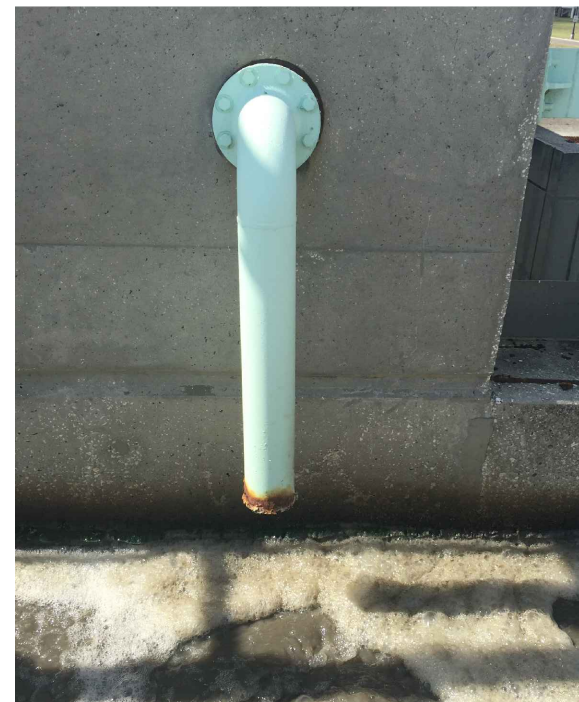
PROPOSED STAINLESS STEEL (316L) PIPE ANCHOR
N.T.S.



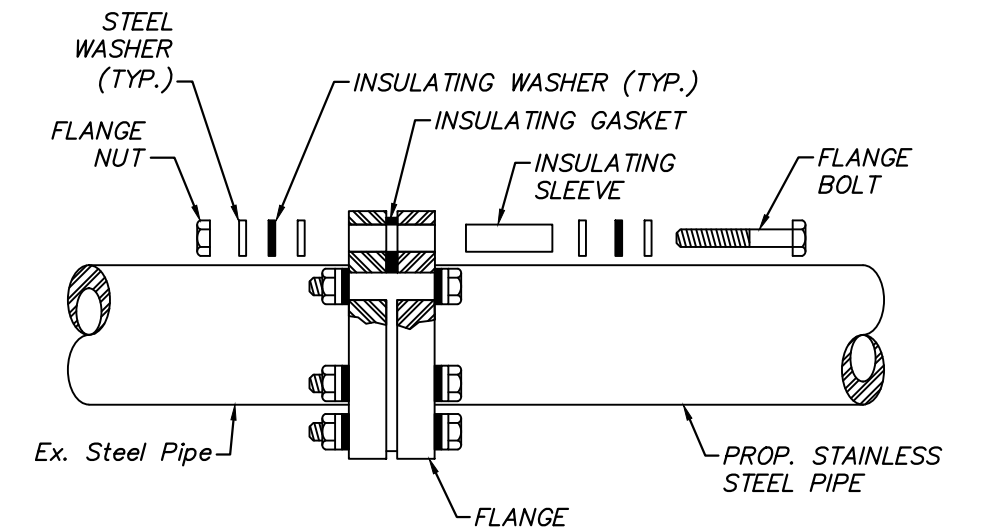
EXISTING PIPE ANCHOR



SUMP PUMP DISCHARGE
N.T.S.



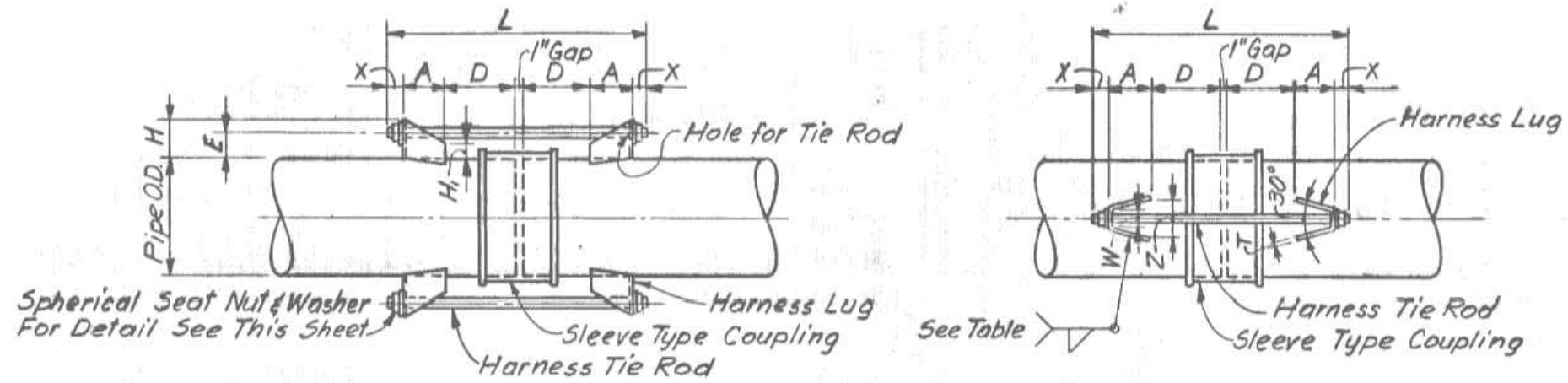
EXISTING SUMP PUMP DISCHARGE



INSULATING FLANGE
N.T.S.

User: SSOK Drawing Number: WASTEWATER PROJECTS/TPB-AWTP Final Sedimentation Tanks Process Air Piping Replacement/Working Drawings/17-0-00001.dwg Layout: Aug 07, 2017 - 3:37pm CTB - MW-TOSHIBA.CTB

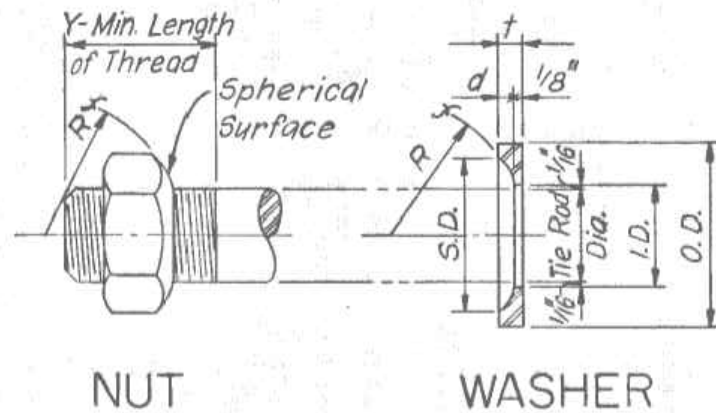
No.	DATE	REVISIONS
3		
2		
1		



TYPE A HARNESSED SLEEVE TYPE COUPLING JOINT FOR STAINLESS STEEL PIPE – SCHEDULE																				
NORMAL PIPE SIZE	WALL THICK-NESS	O.D. OF PIPE	MAX PRESS. FOR HARNESSED TIE ROD P.S.I.	MIDDLE RING		HARNESSED TIE ROD				HARNESSED LUG MINIMUM DIMENSION								COUPLING SERVICE		
				LENGTH	THICKNESS	NO.	DIA.	X	L	A	WE	Z	T	E	H	H1	D		HOLE	WELD
12	0.406	12.750	70	7	0.313	2	0.625	1.125	26.250	3	1.25	2.875	0.375	3	3.875	2	8.5	0.75	0.25	PROCESS AIR

Note: All Dimensions In Inches

TYPE A HARNESSED SLEEVE N.T.S.



TIE ROD DIA	THD./IN.	ID	OD	SD	R	D	T	Y MIN. THREAD LENGTH
5/8	11	3/4	1 1/2	1 3/8	1 1/16	3/16	5/16	1 7/8

HARNESSED TIE ROD SPHERICAL NUT AND WASHER N.T.S.



EXISTING STAINLESS STEEL PIPE REPAIR CLAMP N.T.S.

NOTES:

1. ALL SS REPAIR CLAMPS (AS PICTURED) SHALL BE REPLACED WITH 316SS SLEEVE TYPE COUPLINGS.
2. THERE IS 1-12" SS REPAIR CLAMP THAT WILL NEED TO BE REPLACED WITH 316SS TYPE A HARNESSED SLEEVE TYPE COUPLING AS DETAILED.
3. ALL SLEEVE TYPE COUPLINGS AND HARNESSED HARDWARE SHALL BE 316SS.

User: SSOX Drawing Number: A: WASTEWATER PROJECTS: IFC: AWWP Final Sedimentation Tanks Process Air Piping Replacement Drawing No: 17-0-00011.DWG Layout: Aug 07, 2017 - 3:37pm CTB - MW-TOSHIBA.CTB

No.	DATE	REVISIONS
3		
2		
1		

DES: KJG
DRN: MRL
CKD:
DATE:

CITY of TAMPA
WASTEWATER DEPARTMENT

HOWARD F. CURREN AWWP FINAL SEDIMENTATION TANKS AIR PIPING IMPROVEMENTS
MISCELLANEOUS DETAILS (2)

SHEET
8